

- ▶ Modern with a Classic Aesthetic
- ▶ Tool-Free Maintenance
- ▶ Easy Installation
- ▶ 8, 12, 16, 24, 32, or 48 LEDs



Emblème is a decorative luminaire designed for residential and ambient outdoor lighting applications. Drawing inspiration from traditional lantern forms, it features a refined four-arm mounting bracket and a convex, four-sided pyramidal dome with an integrated hinge for ease of access. Available in suspended or post-top configurations, Emblème is constructed from aluminum and protected by tempered glass, achieving IP66 and IK08 ratings for durability in outdoor environments. The fixture accommodates 8 to 64 LEDs and offers a broad selection of color temperatures and optical distributions, allowing precise lighting design while maintaining compliance with dark-sky and light-pollution regulations.

[www.ragni-group.com](http://www.ragni-group.com)

# EMBLEME



1000 lms to 13800 lms

Zhaga standard

IK08 IP66

Tool free opening

UL LISTED

# EMBLEME

## SPECIFICATIONS

### Physical

Material	Die-Cast Aluminum
Lens	Tempered Glass
Mounting	Suspended via Top-Mounted 1" Male BSP Fitting or Post-Top via Bottom-Mounted 3/4" Male BSP Fitting
Weight	23.8 Pounds
Luminaire EPA	1.15 ft <sup>2</sup>
Ingress Protection	IP66
Impact Resistance	IK08

### Electrical

Power Consumption	From 10 to 103 Watts
LED Voltage	Standard Input Voltage from 120-277 Volts or High Input Voltage from 347-480 Volts
Control	Integral LED Driver and Control System: On/Off or 0-10v Dimming Standard; Custom Control Systems Available on Request
Electrical Class	I and II
Operating Temperature	-40° F to 95° F
Lumen Maintenance	L90 B10 > 100,000 Hours
Surge Suppression	Optional Surge Suppressor; Standard Electrical Shock Resistance of 6/10 kV (diff/comm)

### Photometrics

LEDs	8, 12, 16, 24, 32, or 48 LEDs
Optics	Type 1, 2, 3, 4, or 5 Optical Distributions
CCT	3000K and 4000K Standard. Amber, 2200K, 2700K and 5700K are available upon request.
Delivered Lumen Output	From 1,187 to 13,805 Delivered Lumens
Efficacy (lumens per watt)	From 115 to 148 Lumens per Watt
BUG Rating	B4-U0-G3 <i>Note: BUG rating should be confirmed via IES files for specified optics, output level, and CCT. Consult factory for assistance.</i>

### Certifications

NRTL	Luminaire is Certified to North American Safety Standards and Requirements by Nationally Recognized Testing Laboratories.
------	---

## Light Distributions

CCT	# of LEDs	350 mA			500 mA			700 mA		
		Watts	Lumens	Efficacy	Watts	Lumens	Efficacy	Watts	Lumens	Efficacy
3000K	8	10	1,187	119	14	1626	117	19	2181	115
	12	15	1,779	119	20	2444	123	27	3271	122
	16	19	2,375	125	26	3257	126	36	4361	122
	24	27	3,557	132	38	4888	129	52	6542	126
	32	35	4,749	136	49	6514	133	69	8723	127
	48	51	7,124	140	73	9771	134	103	13084	128
4000K	8	10	1,252	126	14	1719	123	19	2301	122
	12	15	1,880	126	20	2578	129	27	3451	128
	16	19	2,504	132	26	3437	133	36	4602	128
	24	27	3,761	140	38	5156	136	52	6902	133
	32	35	5,008	144	49	6875	141	69	9203	134
	48	51	7,512	148	73	10312	142	103	13805	135

## Options

- Pre-Wiring
- Surge Protector
- Zhaga or Nema socket on top of the luminaire to connect OLC or photocell. Zhaga socket at the bottom of the luminaire to add accessories such as sensors.
- Backlight Control
- NTC Sensor



## Eco-Design

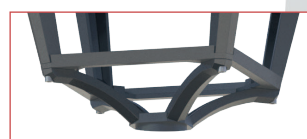
Luminaire designed in compliance with the environmental criteria of energy efficiency, recyclability and interoperability. Associate member of the Zhaga consortium, Ragni integrates electronic elements in this product that comply with the Zhaga standard, which ensures its scalability and interoperability. Member of the Global Compact since 2018, Ragni is committed to working towards the 17 Sustainable Development Goals (SDG 11, 12, 13, 15). Luminaire guaranteed free of hazardous substances. Luminaire eligible for the energy savings certificate. Luminaire compliant with the decree of 27/12/2018 on the prevention, reduction and limitation of light pollution: product configuration to be defined according to the nature of the project.

## FEATURES & OPTIONS



1" Top-Mounted Male BSP

Oxmo Fitting (Paint Matched)



Post-Top Mounting Bracket (Compatible With 3/4" Male BSP)

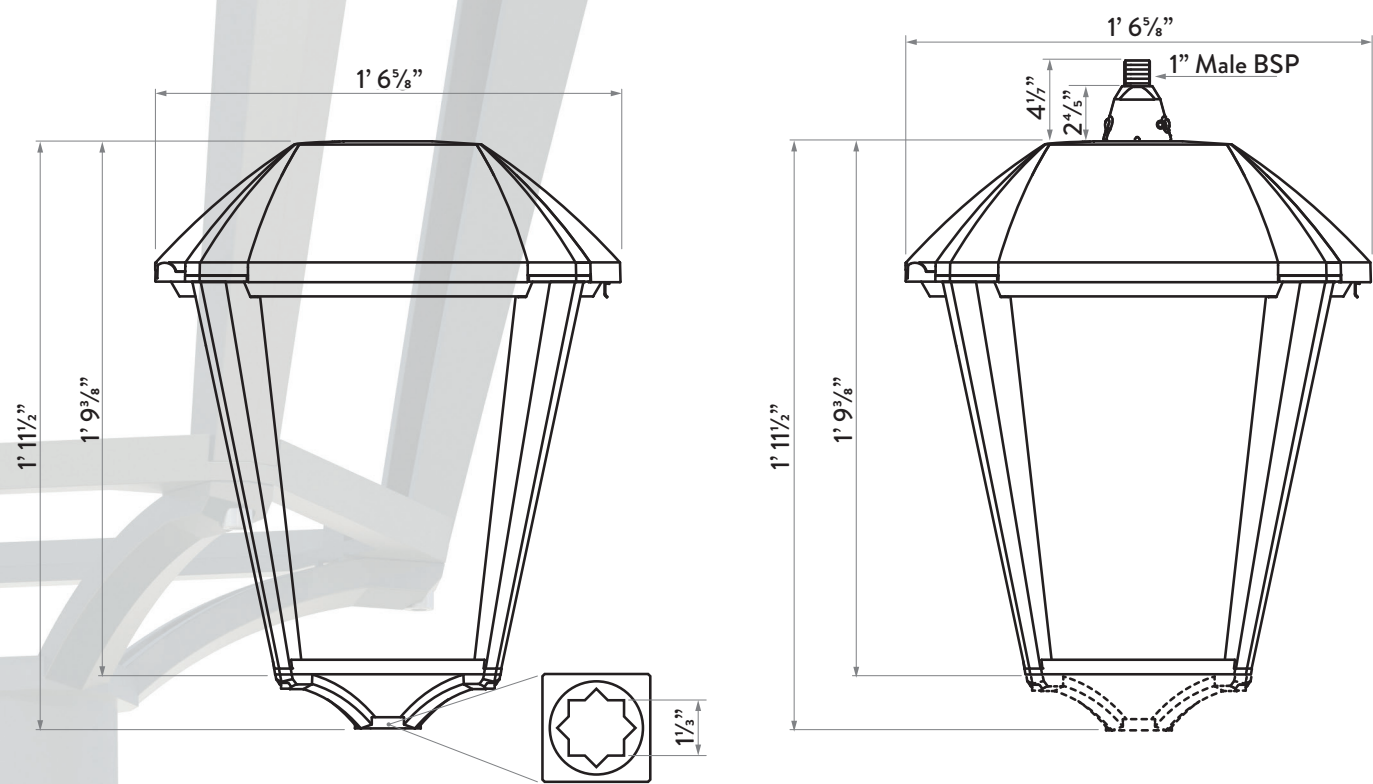


Tool Free Opening Trigger



Tilt-Down Function for Easy Maintenance

## DIMENSIONS



Rev 20260219 - To continually offer the best product possible, we reserve the right to change, without notice, specifications and/or materials.

## ORDERING INFORMATION

MODEL	# OF LEDS	CCT	DRIVE CURRENT	DISTRIBUTION	LINE VOLTAGE	MOUNTING	FINISH	OPTIONS
EMB Embleme Luminaire	8 8 LEDs	3 3000K	35 350 mA	T1 Type I	1 120-277v	TP Post-Top Mount	BLK Black	7PIN 7-Pin Photocell Receptacle
	12 12 LEDs	4 4000K	50 500 mA	T2 Type II	3 347-480v	SUS Suspended Mount	BRZ Bronze	DIM 0-10v Dimming
	16 16 LEDs	C Custom <sup>1</sup>	70 700 mA	T3 Type III		CAT Catenary Mount	SLV Silver	MS Motion Sensor
	24 24 LEDs			T4 Type IV			WHT White	LS Lens Shield
	32 32 LEDs			T5 Type V			RAL # Custom RAL Color <sup>1</sup>	SP Surge Protector
	48 48 LEDs							

<sup>1</sup>Consult factory for custom ordering information.  
Factory assistance is available via phone at 1.720.370.0400 or via email at [info@ragnigroupna.com](mailto:info@ragnigroupna.com).

Rev 20260219 - To continually offer the best product possible, we reserve the right to change, without notice, specifications and/or materials.



Rev 20260219 - To continually offer the best product possible, we reserve the right to change, without notice, specifications and/or materials.



Rev 20260219 - To continually offer the best product possible, we reserve the right to change, without notice, specifications and/or materials.

# EMBLEME

