

ARO



- ▶ Flexible Mounting Options
- ▶ Available in 2 Sizes
- ▶ Smart City Compatible



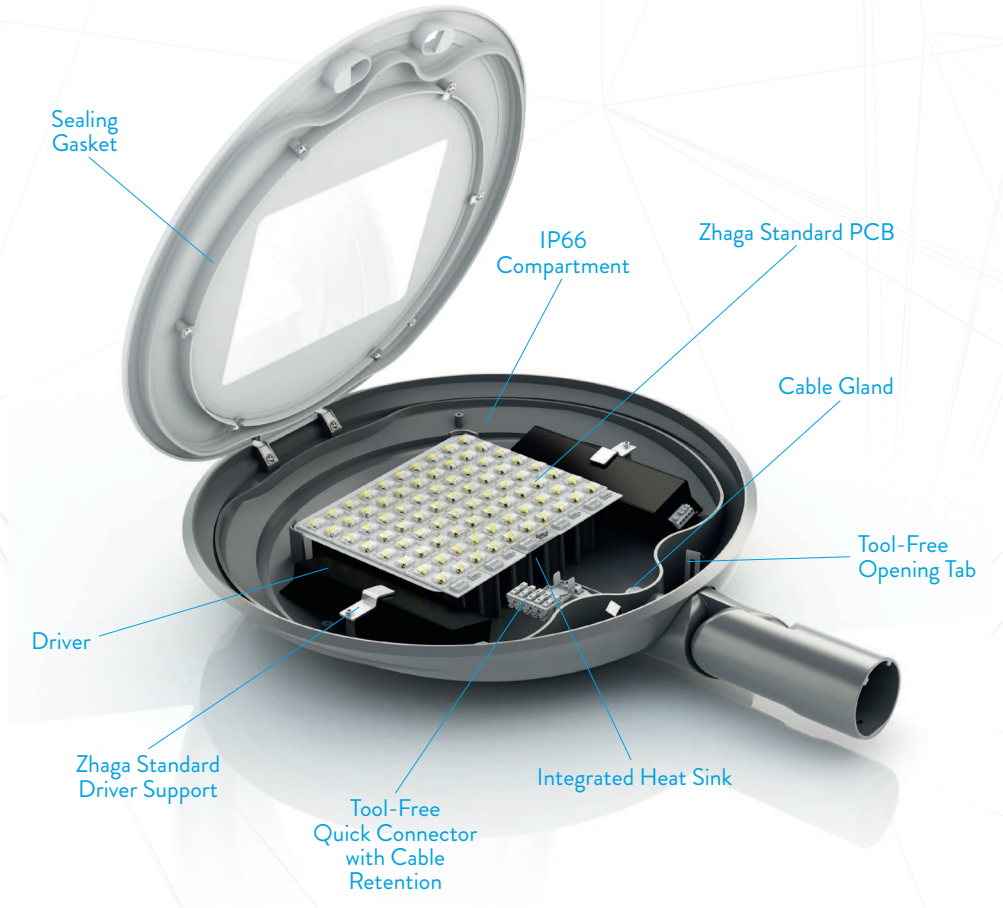


URBANICA
ARCHITECTURE URBANISME PAYSAGE

ARO luminaire is designed for functional area and roadway lighting. It features a sleek, curved circular form with two raised front grooves and an almond-shaped profile that gives it a streamlined, modern silhouette. The housing is made of aluminum and finished with white screen-printed tempered glass. ARO is available in two sizes, ARO S and ARO M, accommodating between 8 and 80 LEDs, with a lumen output ranging from 1,000 to 23,000 lumens. Its innovative flexible mounting arm allows for precise tilting in 5° increments, supporting both lateral and top mounting configurations.

Designed with the future in mind, ARO is Zhaga-compliant, seamlessly meeting the needs of smart city infrastructure. Optional accessories include the ARO Bracket, which can be paired with the IRYS module for integrated back flood lighting. IP66 rated for dust and water resistance and IK09 rated for impact protection.

ARO RANGE



Rev 20260219 - To continually offer the best product possible, we reserve the right to change, without notice, specifications and/or materials.

ARO

SPECIFICATIONS

Physical

	ARO S	ARO M
Housing	Aluminum	
Lens	Tempered Glass	
Length (Nominal)	1' 11"	2' 3"
Diameter (Nominal)	1' 7"	1' 11"
Weight	19 Pounds	30 Pounds
Ingress Protection	IP66	
Impact Resistance	IK09	
Effective Projected Area (EPA) Rating	0.30 ft ²	0.33 ft ²

Electrical

Power Consumption	From 10 to 103 Watts	From 35 to 172 Watts
LED Voltage	Standard Input Voltage from 120-277 Volts High Input Voltage from 347-480 Volts	
Control	Integral LED Driver and Control System. On/Off or 0-10v Dimming	
Electrical Class	I and II	
Operating Temperature	-40° F to 122° F	
Lumen Maintenance	L90 B10 > 100,000 Hours	
Surge Suppression	Standard 6/10 kV Surge Suppression (diff/comm)	

Photometrics

Number of LEDs	8 to 48	32 to 80
CCT	3000K and 4000K Standard; Amber, 22K, 27K, 57K Available on Request	
Delivered Lumen Output	1187 to 13805 Lumens	4749 to 21806 Lumens
Efficacy	115 to 178 Lumens per Watt	127 to 142 Lumens per Watt
BUG Rating	B2-U0-G2	

Certifications

NRTL	Luminaire is Certified to North American Safety Standards and Requirements by Nationally Recognized Testing Laboratories.
-------------	---

Rev 20260219 - To continually offer the best product possible, we reserve the right to change, without notice, specifications and/or materials.

ARO

SPECIFICATIONS (continued)

Light Distributions

Aro Model	# of LEDs	350 mA			500 mA			700 mA			
		Watts	Lumens	Efficacy	Watts	Lumens	Efficacy	Watts	Lumens	Efficacy	
3000K											
S	8	10	1187	119	14	1626	117	19	2181	115	
	12	15	1779	119	20	2444	123	27	3271	122	
	16	19	2375	125	26	3257	126	36	4361	122	
	24	27	3557	132	38	4888	129	52	6542	126	
	M	32	35	4749	136	49	6514	133	69	8723	127
		48	51	7124	140	73	9771	134	103	13084	128
		64	68	9499	140	96	13028	136	136	17445	129
		80	84	11873	142	120	16286	136	172	21806	127
4000K											
S	8	10	1252	126	14	1719	123	19	2301	122	
	12	15	1880	126	20	2578	129	27	3451	128	
	16	19	2504	132	26	3437	133	36	4602	128	
	24	27	3761	140	38	5156	136	52	6902	133	
	M	32	35	5008	144	49	6875	141	69	9203	134
		48	51	7512	148	73	10312	142	103	13805	135
		64	68	10016	148	96	13749	144	136	18406	136
		80	84	12520	150	120	17186	144	172	23008	134

Options

- Pre-wiring.
- Surge protector.
- Zhaga or Nema socket on top of the luminaire to connect OLC or photocell. Zhaga socket at the bottom of the luminaire to add accessories such as sensors.
- $\phi 1\frac{1}{8}$ ", $\phi 1\frac{1}{2}$ ", $\phi 1\frac{3}{8}$ " with reducing wedge.
- Backlight control.
- Automatic disconnection when the luminaire is opened.
- NTC sensor.
- IK10 protection (PC).

Eco-Design

Luminaire designed in compliance with the environmental criteria of energy efficiency, recyclability and interoperability.

Associate member of the Zhaga consortium, Ragni integrates electronic elements in this product that comply with the Zhaga standard, which ensures its scalability and interoperability. This luminaire is Zhaga D4i certified.

Member of the Global Compact since 2018, Ragni is committed to working towards the 17 Sustainable Development Goals (SDG 11, 12, 13, 15).

Luminaire guaranteed free of hazardous substances.

Luminaire eligible for the energy savings certificate.

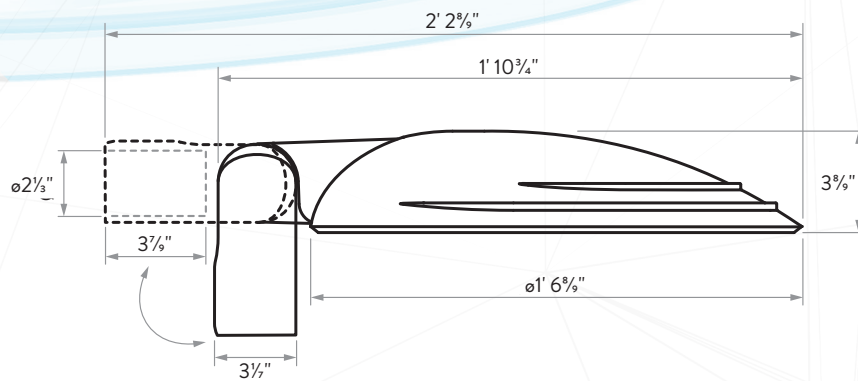
Luminaire compliant with the decree of 27/12/2018 on the prevention, reduction and limitation of light pollution: product configuration to be defined according to the nature of the project.

Zhaga Socket for Communication Node Or Photocell

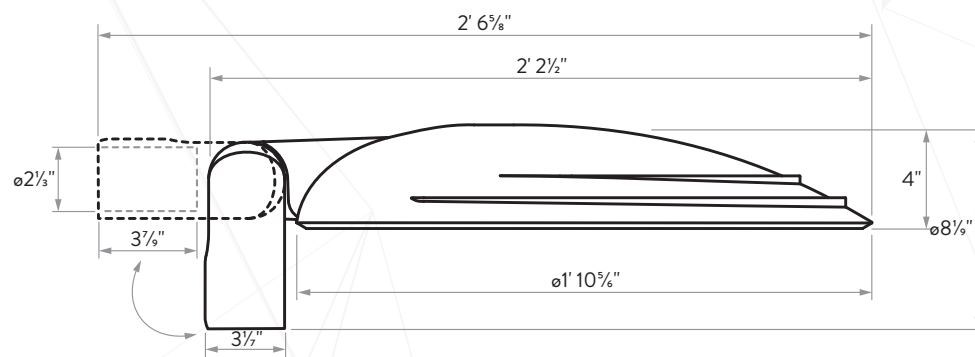


DIMENSIONS

ARO S



ARO M



Rev 20260219 - To continually offer the best product possible, we reserve the right to change, without notice, specifications and/or materials.

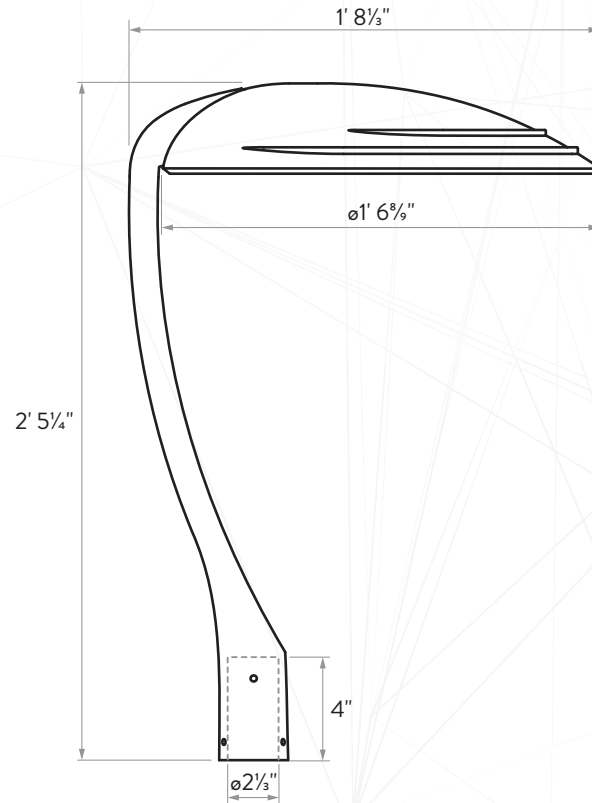
ARO S

MOUNTING ARMS



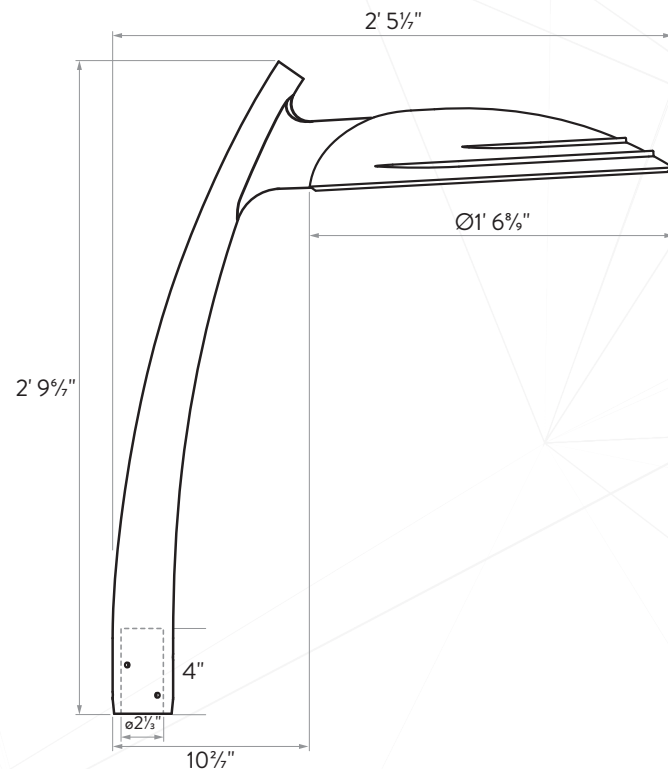
Yoke

ARO S
22 Pounds
EPA: 0.42 ft²



Fa Bracket

ARO S
24 Pounds
EPA: 0.73 ft²



Rev 20260219 - To continually offer the best product possible, we reserve the right to change, without notice, specifications and/or materials.

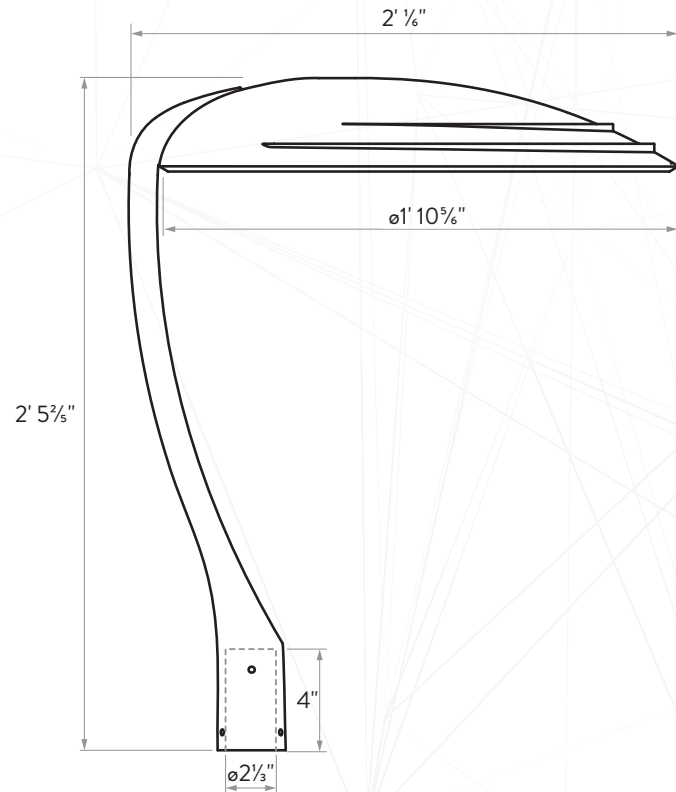
ARO M

MOUNTING ARMS



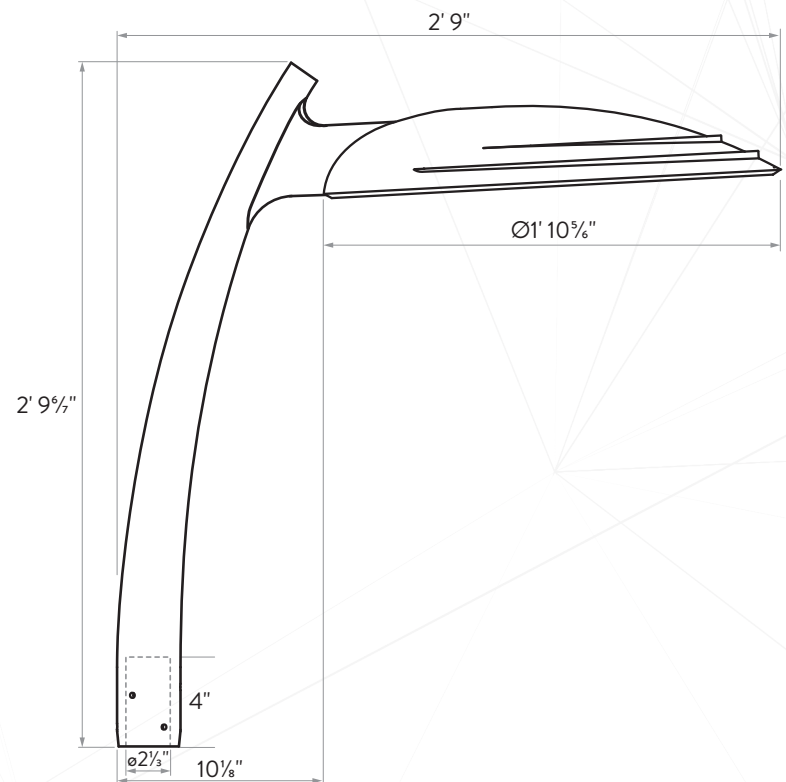
Yoke

ARO M
32 Pounds
EPA: 0.45 ft²



Fa Bracket

ARO M
38 Pounds
EPA: 0.76 ft²



Rev 20260219 - To continually offer the best product possible, we reserve the right to change, without notice, specifications and/or materials.

ARO

ORDERING INFORMATION

MODEL	SIZE*	# OF LEDS*	CCT	DRIVE CURRENT	DISTRIBUTION	LINE VOLTAGE	MOUNTING	FINISH	OPTIONS
ARO <i>Aro Area Light</i>	S <i>Small Head Size</i> 8 - 48 LEDs	8 <i>8 LEDs</i>	3 <i>3000K</i>	35 <i>350 mA</i>	T1 <i>Type I</i>	1 <i>120-277v</i>	TP2 <i>Top Mount for</i> <i>2.38" Tenons</i>	BLK <i>Black</i>	7PIN <i>7-PIN Photocell</i> <i>Receptacle</i>
		M <i>Medium Head Size</i> 32 - 80 LEDs	12 <i>12 LEDs</i>	4 <i>4000K</i>	50 <i>500 mA</i>	T2 <i>Type II</i>	3 <i>347-480v</i>	TP3 <i>Top Mount for</i> <i>3" Tenons</i>	BRZ <i>Bronze</i>
		16 <i>16 LEDs</i>		70 <i>700 mA</i>	T3 <i>Type III</i>		LT <i>Lateral Mount -</i> <i>Aro Bracket</i>	SLV <i>Silver</i>	DIM <i>0-10v Dimming</i>
		24 <i>24 LEDs</i>		C <i>Custom¹</i>	T4 <i>Type IV</i>		YK <i>Yoke</i>	WHT <i>White</i>	RW <i>Reducing Wedge,</i> <i>for 1.34" / 1.65" /</i> <i>1.89" Tenons</i>
		32 <i>32 LEDs</i>			T5 <i>Type V</i>		FA <i>FA Mounting</i> <i>Bracket</i>	RAL # <i>Custom RAL Color</i>	LS <i>Lens Shield</i>
		48 <i>48 LEDs</i>							
	64 <i>64 LEDs</i>								
	80 <i>80 LEDs</i>								

¹Consult factory for custom ordering information.

Factory assistance is available via phone at 1.720.370.0400 or via email at info@ragnigroupna.com.

ARO

MOUNTING APPLICATIONS

A ARO M - SLUC 30-0°
Wall Mounted

20'



10'



B ARO S
HARMO 400



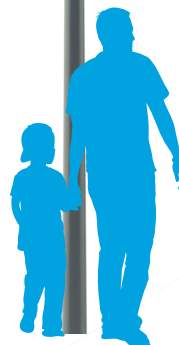
C ARO S Yoke
HARMO 400



D ARO S FA
HARMO 400



E ARO M Yoke
HARMO 400



F ARO M FA
HARMO 400

NOTE: Poles are sold separately.

Rev 20260219 - To continually offer the best product possible, we reserve the right to change, without notice, specifications and/or materials.

ARO

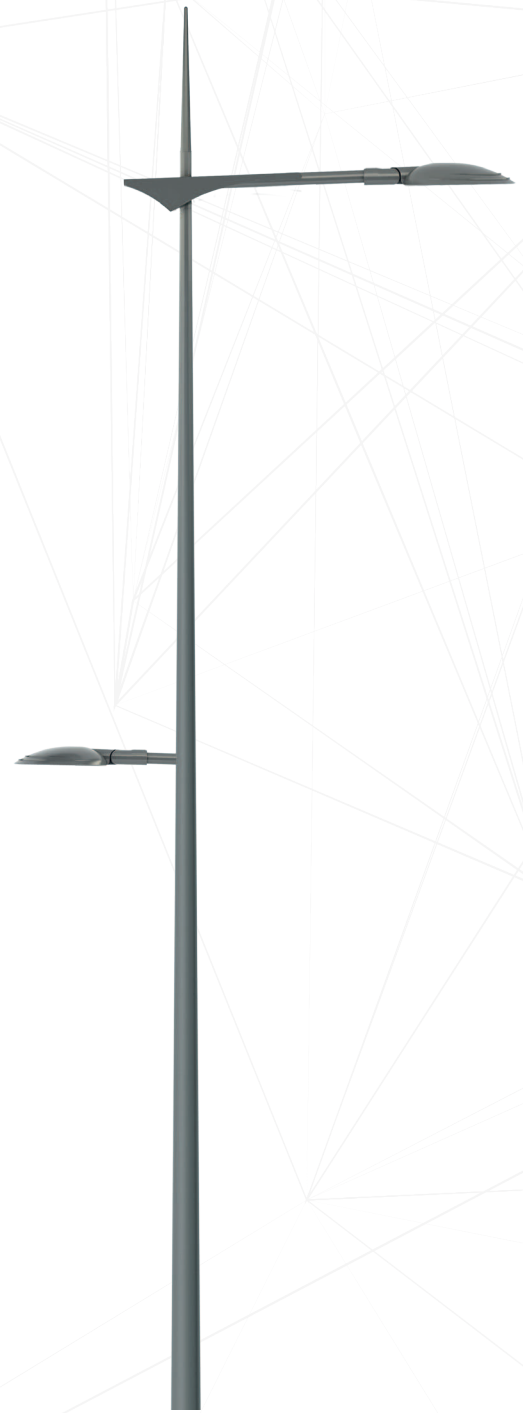
MOUNTING APPLICATIONS (continued)



G | ARO M - ARO S
TURIN 100 15° - S⁺ LUC 30-15°
JIMA 600



H | ARO M
EXIS 120 - JAVA 600



I | ARO M - ARO S
Braso ARO - S⁺ LUC 30-5°
JIMA 650 - Decorative tip 600

Rev 20260219 - To continually offer the best product possible, we reserve the right to change, without notice, specifications and/or materials.

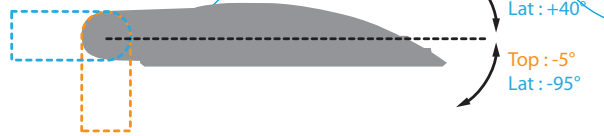
VARIATIONS & ACCESSORIES

Luminaire features a flexible sleeve with adjustable notched ball joint in 5° steps for installation on any $\varnothing 1\frac{1}{3}$ ", $\varnothing 1\frac{2}{3}$ ", $\varnothing 1\frac{8}{9}$ ", or $\varnothing 2\frac{1}{3}$ " tenon or on top of a $\varnothing 2\frac{1}{3}$ " mast. Ideal for retrofitting on very inclined bracket.

*Optional reducing wedge is required on $\varnothing 1\frac{1}{3}$ ", $\varnothing 1\frac{2}{3}$ ", $\varnothing 1\frac{8}{9}$ " applications.



Tilt



Installation Note:
Tilting adapts the luminaire to different bracket configurations. In order to comply with light pollution control requirements, the inclination of a luminaire should not exceed 20°.

ARO Bracket



Optional integration of a floodlight at the back of the bracket to create a highlighting scenario.

Optional Decorative Tip

ARO M

ARO S

ARO Yoke

Aesthetic yoke harmonizes with the design of the ARO luminaire.



Cast aluminum version on request.

ARO FA Bracket

Top-Mast bracket for ARO S or M luminaires.



Rev 20260219 - To continually offer the best product possible, we reserve the right to change, without notice, specifications and/or materials.