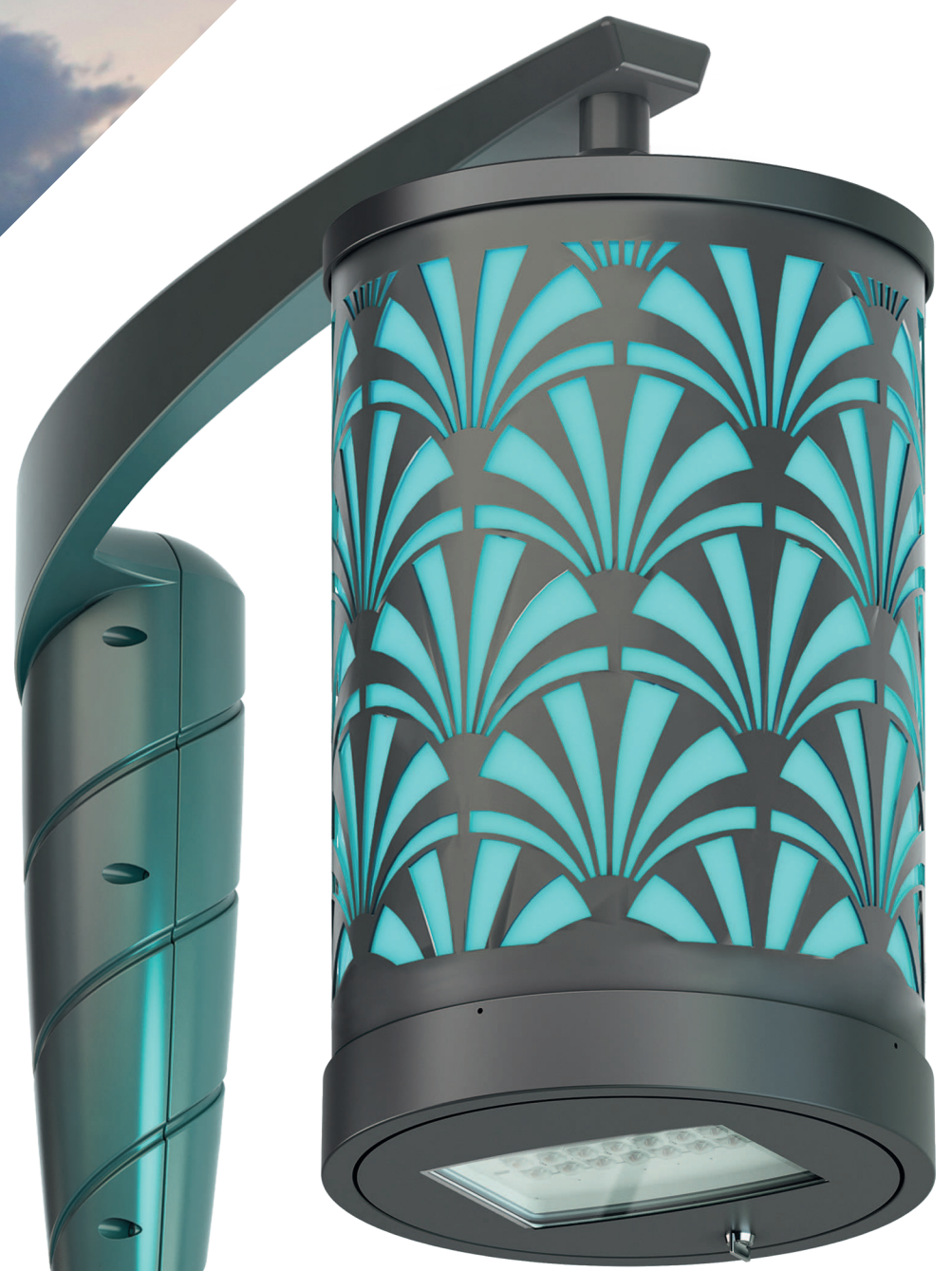


LAMPION

- UL LISTED
- Zhaga standard
- 750 lms to 10300 lms
- IK08 IP66
- Backlighted LAMPION glow
- Tool free opening LAMPION Mega | Glow

The Lampion is a collection of cylindrical light fixtures featuring a durable openwork stainless steel cage suspended from a sleek aluminum housing, protected by IK08-rated tempered glass. The high-end version, Lampion Glow, includes a softly diffused, backlit white polyethylene cylinder and offers optional DMX control for dynamic lighting effects. Each fixture comes with a Zhaga-compatible, IP66-rated optical unit with 8 to 48 LEDs and an integrated driver, allowing for a wide range of color temperatures and light distributions to precisely match project requirements while meeting dark sky compliance standards. Available in Class I and II versions, Lampion fixtures add atmosphere through customizable cut-out patterns that create unique light effects.



- ▶ Available in two sizes and one premium "Glow" version.
- ▶ Customized cutting on request.
- ▶ Easy installation and maintenance.

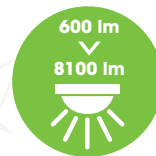
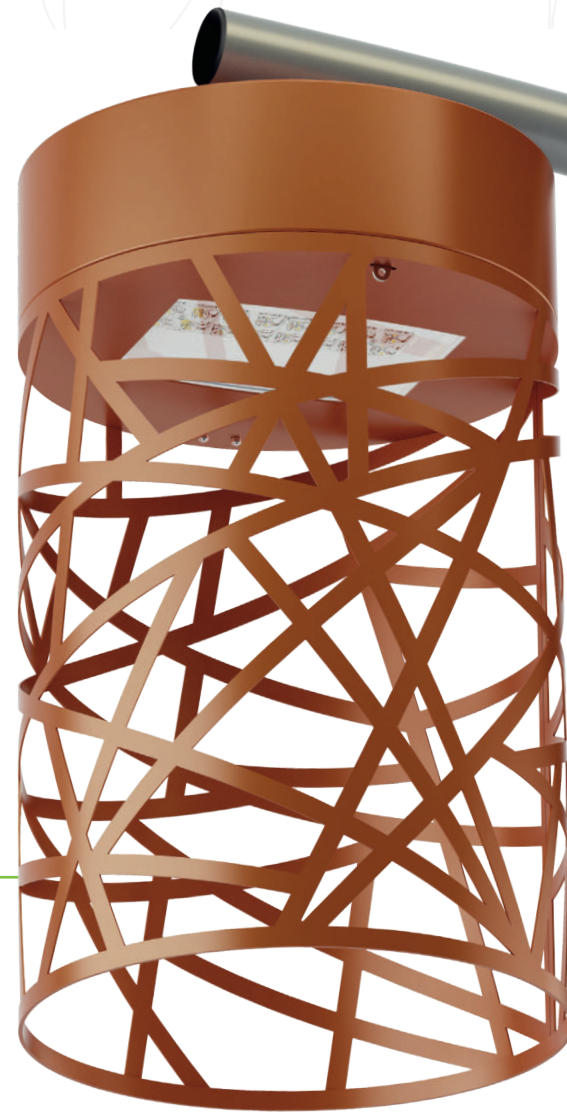


LAMPION MINI



LAMPION GLOW

Rev 20260219 - To continually offer the best product possible, we reserve the right to change, without notice, specifications and/or materials.



LAMPION MEGA

LAMPION RANGE

Rev 20260219 - To continually offer the best product possible, we reserve the right to change, without notice, specifications and/or materials.

LAMPION

SPECIFICATIONS

Physical

	LAMPION Mini	LAMPION Mega	LAMPION GLOW
Housing		Aluminum	
Lens	Tempered Glass		Tempered Glass; Cylinder Bowl is Diffused PE
Height	1' 8½"		2' 2"
Diameter	ø10"	ø1' 3¼"	ø1' 4¾"
Weight	21 Pounds	23 Pounds	64 Pounds
Ingress Protection		IP66	
Impact Resistance		IK08	

Electrical

Power Consumption	From 15 to 56 Watts	From 10 to 73 Watts
LED Voltage	Standard Input Voltage from 120-277 Volts High Input Voltage from 347-480 Volts	
Control	Integral LED Driver and Control System. On/Off or 0-10v Dimming	
Electrical Class	I and II	
Operating Temperature	-40° F to 122° F	
Lumen Maintenance	L90 B10 > 100,000 Hours	
Surge Suppression	Standard Surge Suppression 6/10 kV (diff/comm)	

Photometrics

Number of LEDs	1, 2, or 3 LEDs	8, 12, 16, 24, 32, or 48 LEDs
CCT	3000K or 4000K Standard; 2200K or 2700K Available on Request	3000K or 4000K Standard; Amber, 2200K, 2700K, or 5700K Available on Request
Delivered Lumen Output	1033 to 4500 Lumens	930 to 8080 Lumens
Efficacy (lumens per watt)	65 to 83 Lumens per Watt	90 to 116 Lumens per Watt
BUG Rating		B2-U1-G2
Optical Distributions	Narrow 34° (CIR10), Medium 57° (CIR11), Wide 73° (CIR12)	Type 2, 3, 4, 5 IES Distributions

Certifications

NRTL Luminaire is Certified to North American Safety Standards and Requirements by Nationally Recognized Testing Laboratories. NOTE: Lampion Glow NRTL Certification Pending.

Light Distributions

Cirko Model	CCT	# of LEDs	350 mA			500 mA			700 mA		
			Watts	Lumens	Efficacy	Watts	Lumens	Efficacy	Watts	Lumens	Efficacy
Lampion Mini	3000K	1	15	1033	69	20	1415	71	29	1883	65
		2	27	2065	77	38	2830	75	54	3765	70
		3	40	3098	78	56	4245	76	-	-	-
	4000K	1	15	1095	73	20	1500	75	29	1995	69
		2	27	2190	82	38	3000	79	54	3990	74
		3	40	3285	83	56	4500	81	-	-	-
Lampion Mega and Glow	3000K	8	10	930	93	14	1274	91	19	1709	90
		12	15	1394	93	20	1915	96	27	2563	95
		16	19	1861	98	26	2552	99	36	3417	95
		24	27	2787	104	38	3830	101	52	5126	99
		32	35	3721	107	49	5104	105	69	6835	100
		48	51	5582	110	73	7656	105	-	-	-
	4000K	8	10	981	99	14	1347	97	19	1803	95
		12	15	1473	99	20	2020	101	27	2704	101
		16	19	1962	104	26	2693	104	36	3606	101
		24	27	2947	110	38	4040	107	52	5408	104
		32	35	3924	113	49	5387	110	69	7211	105
		48	51	5886	116	73	8080	111	-	-	-

Options

MINI

- Zhaga or Nema socket on top of the luminaire to connect OLC or photocell

MEGA

- Pre-wiring.
- Surge protector.
- Zhaga or Nema socket on top of the luminaire to connect OLC or photocell.

GLOW

- Surge protector.
- Zhaga or Nema socket on top of the luminaire to connect OLC or photocell. Zhaga socket at the bottom of the luminaire to add accessories such as sensors.
- Backlighting projector: white 3000K, 4000K, red, blue, green or RGBW, color wheel or DMX control.

Eco-Design

Luminaire designed in compliance with the environmental criteria of energy efficiency, recyclability and interoperability.

Associate member of the Zhaga consortium, Ragni integrates electronic elements in this product that comply with the Zhaga standard, which ensures its scalability and interoperability.

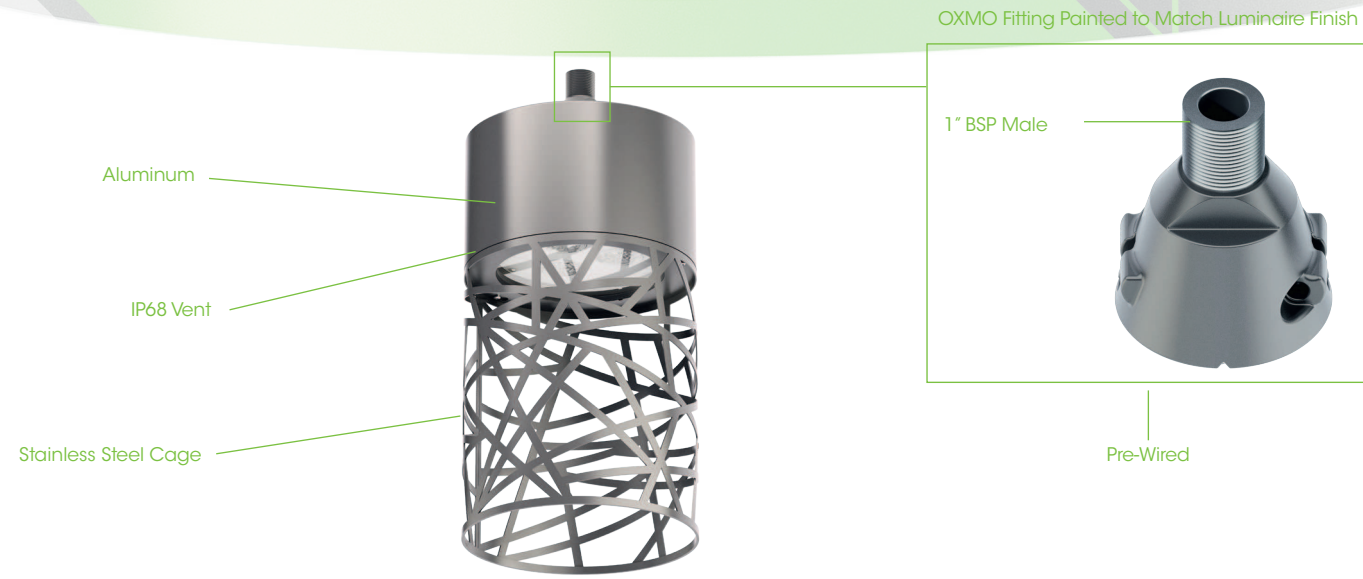
Member of the Global Compact since 2018, Ragni is committed to working towards the 17 Sustainable Development Goals (SDG 11, 12, 13, 15).

Luminaire guaranteed free of hazardous substances.

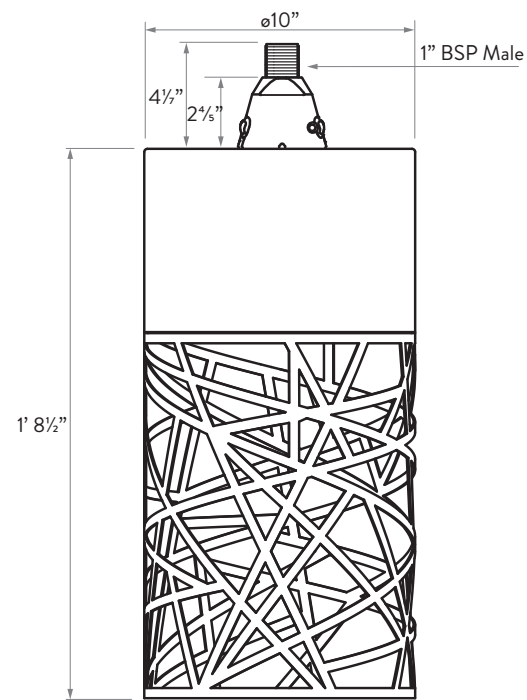
Luminaire eligible for the energy savings certificate.

Luminaire compliant with the decree of 27/12/2018 on the prevention, reduction and limitation of light pollution: product configuration to be defined according to the nature of the project.

LAMPION mini



DIMENSIONS



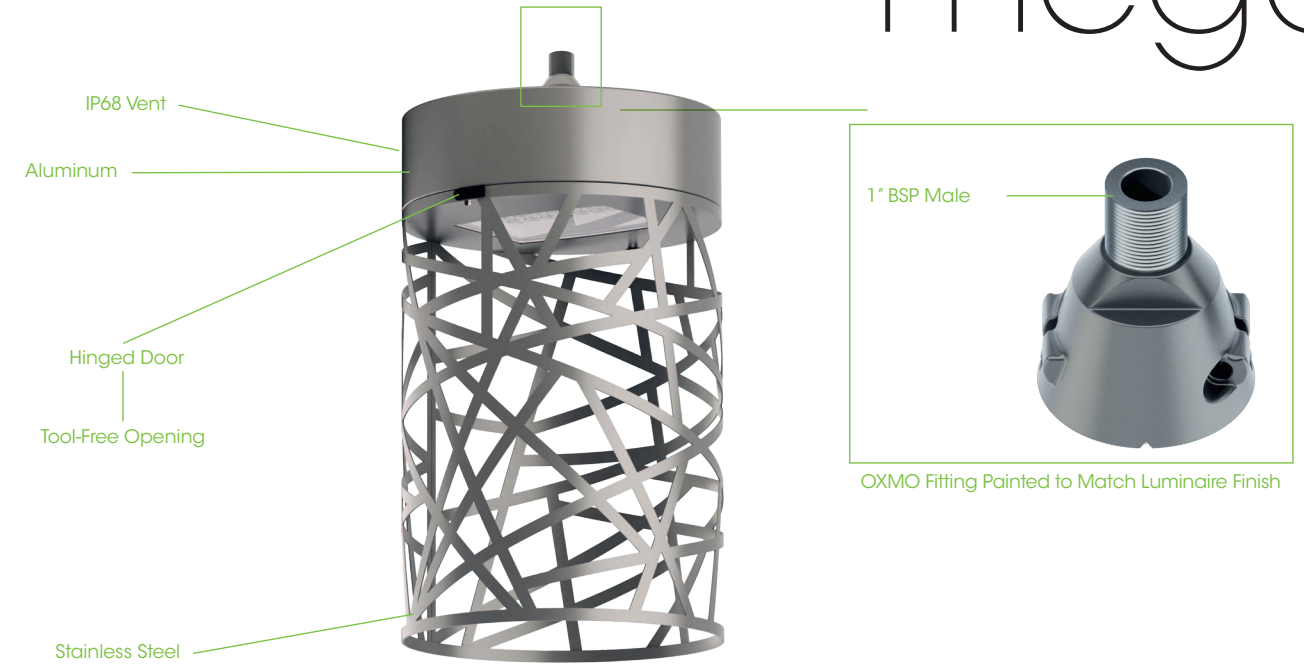
CUSTOMIZATION

Custom patterns are available; consult factory for custom designs.

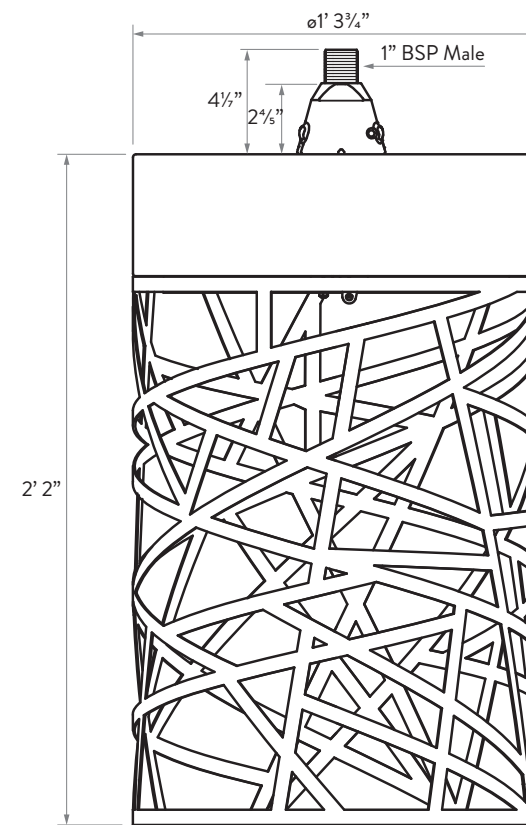


Rev 20260219 - To continually offer the best product possible, we reserve the right to change, without notice, specifications and/or materials.

LAMPION mega

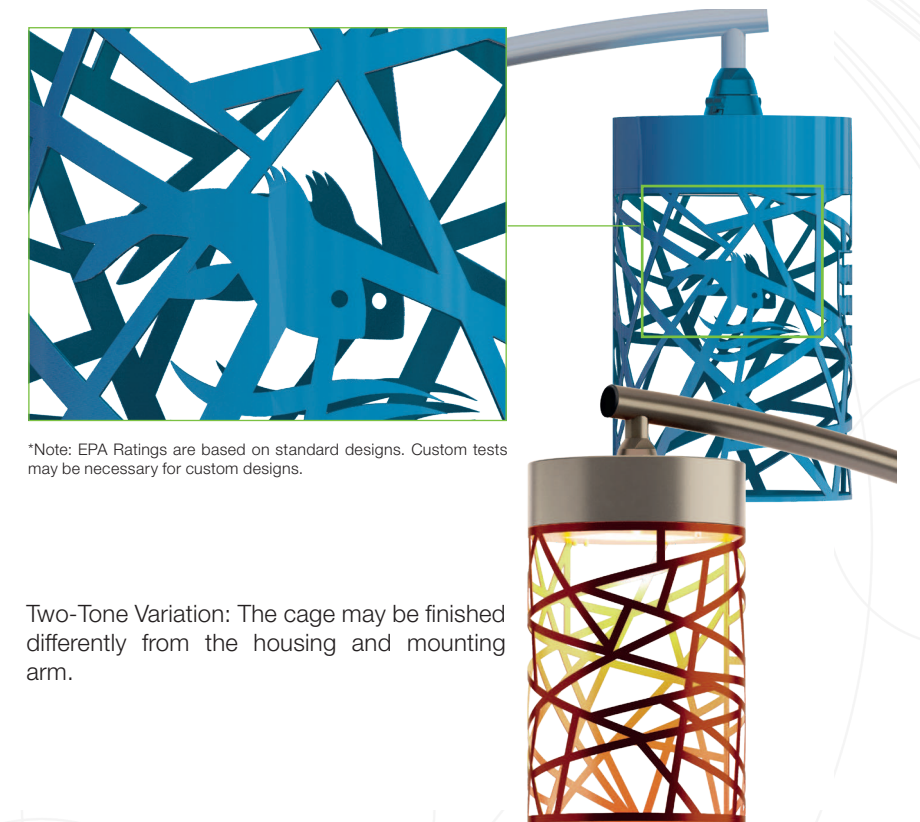


DIMENSIONS



CUSTOMIZATION

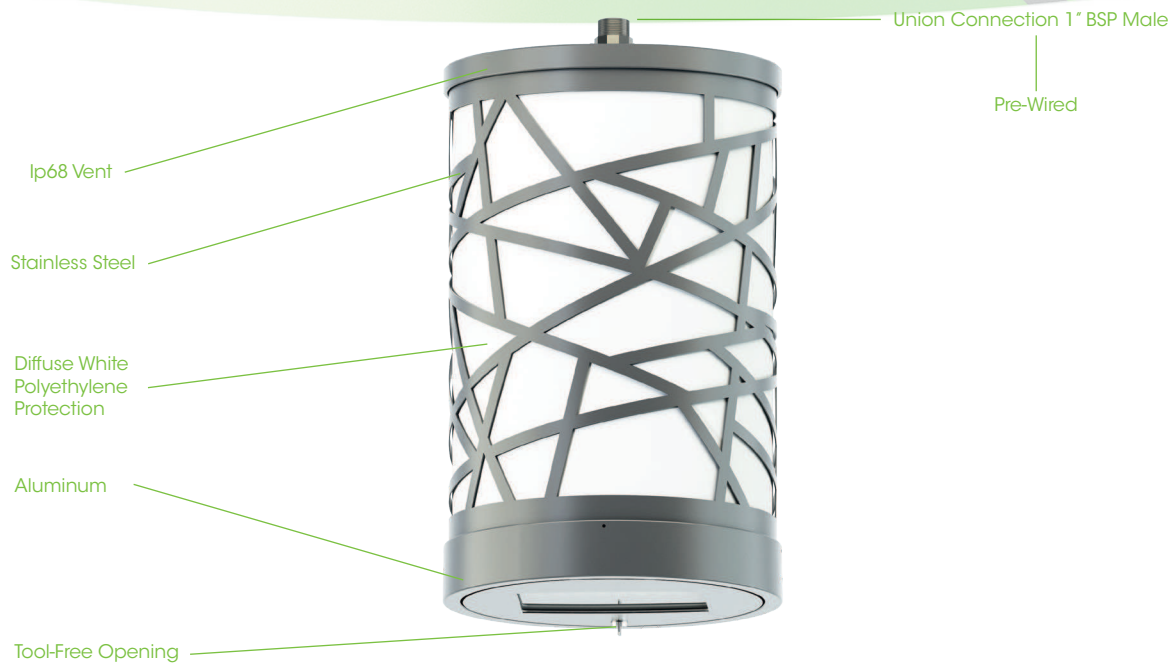
Custom patterns are available; consult factory for custom designs.



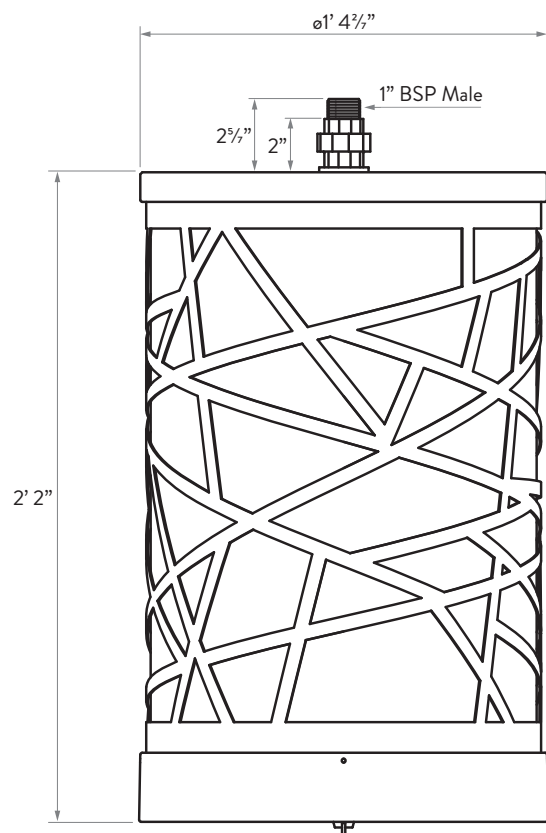
Rev 20260219 - To continually offer the best product possible, we reserve the right to change, without notice, specifications and/or materials.

LAMPION

GLOW



DIMENSIONS



CUSTOMIZATION

Custom patterns are available; consult factory for custom designs.



Backlighting Options: White 3000K, 4000K, red, blue, green or RGBW, color wheel or DMX control.

ORDERING INFORMATION

MODEL	# OF LEDs*	CCT	DRIVE CURRENT	DISTRIBUTION	LINE VOLTAGE	MOUNTING	LUMINAIRE FINISH	CAGE DESIGN	CAGE FINISH	OPTIONS
LAM-S <i>Lampion Mini</i>	1	3	35	10	1	S	BLK	STD	BLK	7PIN
	1 LED	3000K	350 mA	Narrow 34° Beam CIR10	120-277v	Suspended	Black	Standard	Black	7-Pin Photocell Receptacle
	2	4	50	11	3	C	BRZ	CUS	BRZ	DIM
	2 LEDs	4000K	500 mA	Medium 57° Beam CIR11	347-480v	Catenary	Bronze	Custom ¹	Bronze	0-10v Dimming
	3		70	12			SLV		SLV	
	3 LEDs		700 mA	Wide 73° Beam CIR12			Silver		Silver	
			C				WHT		WHT	
			Custom ¹				White		White	
							RAL #		RAL #	
							Custom RAL Color		Custom RAL Color	

¹Consult factory for custom ordering information.

Factory assistance is available via phone at 1.720.370.0400 or via email at info@ragnigroupna.com.

MODEL	# OF LEDs*	CCT	DRIVE CURRENT	DISTRIBUTION	LINE VOLTAGE	MOUNTING	LUMINAIRE FINISH	CAGE DESIGN	CAGE FINISH	BACKLIGHT ²	OPTIONS
LAM-M <i>Lampion Mega</i>	8	3	35	T2	1	S	BLK	STD	BLK	R	7PIN
	8 LEDs	3000K	350 mA	Type II	120-277v	Suspended	Black	Standard	Black	Red	7-Pin Photocell Receptacle
LAM-G <i>Lampion Glow</i>	12	4	50	T3	3	C	BRZ	CUS	BRZ	G	DIM
	12 LEDs	4000K	500 mA	Type III	347-480v	Catenary	Bronze	Custom ¹	Bronze	Green	0-10v Dimming
	16		70	T4			SLV		SLV	B	LS
	16 LEDs		700 mA	Type IV			Silver		Silver	Blue	Lens Shield
	24		C	T5			WHT		WHT	3	
	24 LEDs		Custom ¹	Type V			White		White	3000K	
	32						RAL #		RAL #	4	
	32 LEDs						Custom RAL Color		Custom RAL Color	4000K	
	48									RGBW	
	48 LEDs									RGBW	
										BLANK	
										Leave Blank on Mega Models	



ually offer the best product possible, we reserve the right to change, without notice, specifications and/or materials.

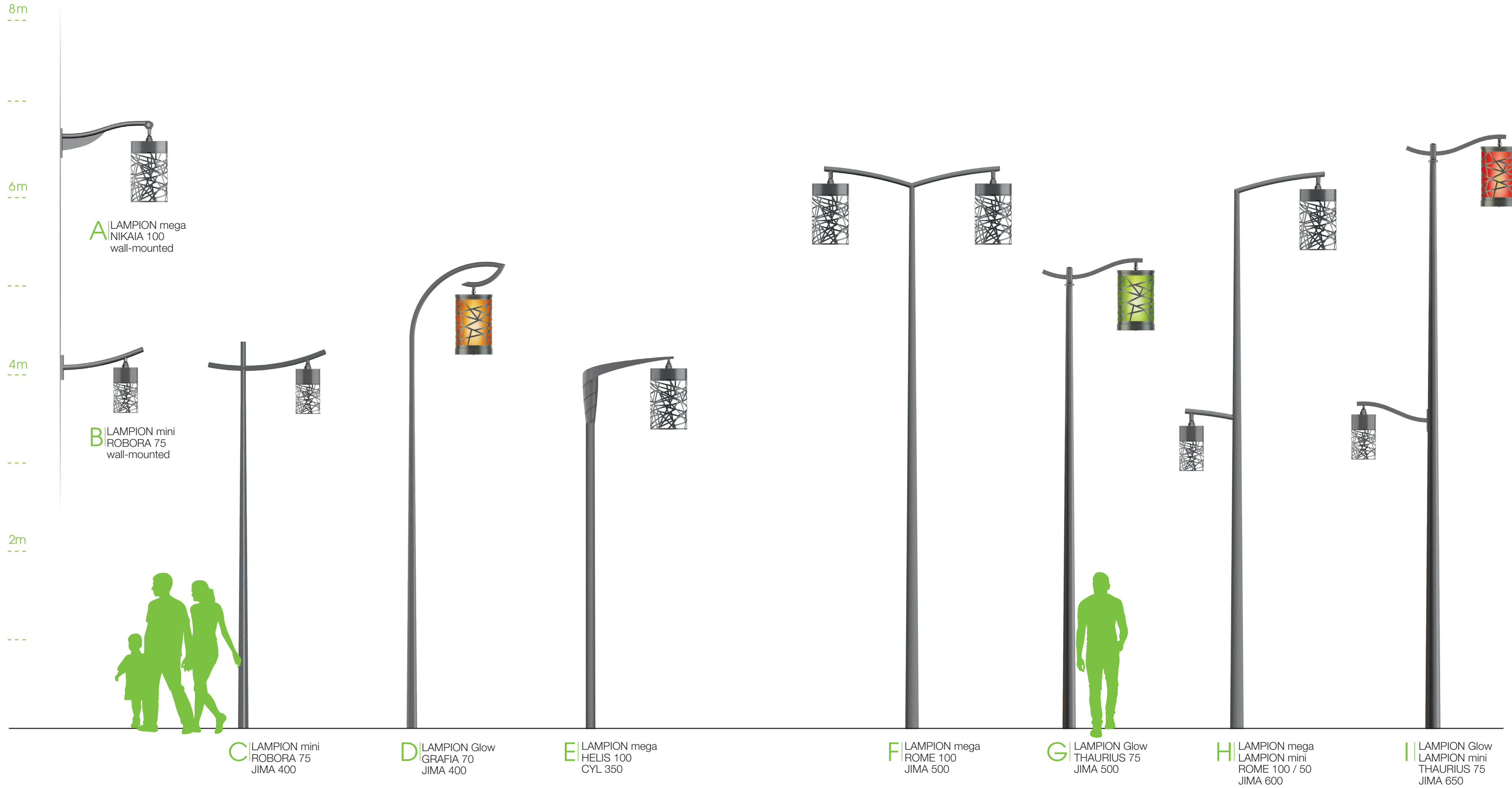


Rev 20260219 - To continually offer the best product possible, we reserve the right to change, without notice, specifications and/or materials.

LAMPION RANGE

13

AREA AND AMBIANCE LIGHTING | LAMPION



14

AREA AND AMBIANCE LIGHTING | LAMPION