



- ▶ Post-Top Mounted or Suspended with Vast Mounting Arm Selection
- ▶ Tool-Free Door Opening for Easy Maintenance
- ▶ Dedicated Slots for Smart Sockets Located on Top and Bottom of the Luminaire



URBANE

Urbane is a decorative luminaire designed to deliver elegant residential and ambient lighting with a nod to classic lantern aesthetics. Its distinctive four-sided semi-pyramidal dome, flattened at the top, includes a tool-free access system for easy maintenance.

Mounted on a gracefully curved four-arm bracket, Urbane features a central white decorative cone that enhances its lantern-like glow, blending heritage design with modern functionality.

The fixture accommodates 8 to 64 LEDs, with available color temperatures of 3000K or 4000K, and offers Type 1 through Type 5 photometric distributions. Urbane delivers tailored illumination while ensuring compliance with light pollution regulations, making it an ideal solution for parks, pathways, residential streets, and urban squares.

URBANE

SPECIFICATIONS

Physical

	URBANE	URBANE C
Housing	Cast Aluminum Housing	
Lens	Tempered Glass	
Mounting	Post Top or Suspended Mounting	Catenary or Suspended Mounting
Dimensions	1' 6.6" W x 2' 3.1" H	1' 6.6" W x 6.2" H
Weight	23.8 Pounds	21.4 Pounds
Effective Projected Area (EPA) Rating	1.15 ft ²	0.38 ft ²
Ingress Protection	IP66	
Impact Resistance	IK08	

Electrical

Power Consumption	From 19 to 103 Watts
LED Voltage	Standard Input Voltage from 120-277 Volts High Input Voltage from 347-480 Volts
Control	Integral LED Driver and Control System. On/Off or 0-10v Dimming
Electrical Class	I and II
Operating Temperature	-40° F to 122° F
Lumen Maintenance	L90 B10 > 100,000 Hours
Surge Suppression	Optional Surge Suppressor; Standard Electrical Shock Resistance of 6/10 kV (diff/comm)

Photometrics

Number of LEDs	16, 32, or 48 LEDs
CCT	3000K and 4000K Standard; Amber, 2200K, 2700K, and 5700K are available upon request.
Delivered Lumen Output	2375 to 13805 Lumens
Efficacy	122 to 148 Lumens per Watt
BUG Rating	B2-U0-G2

Certifications

NRTL	Luminaire is Certified to North American Safety Standards and Requirements by Nationally Recognized Testing Laboratories.
-------------	---

Rev 20260224 - To continually offer the best product possible, we reserve the right to change, without notice, specifications and/or materials.

URBANE

SPECIFICATIONS (CONTINUED)

Light Distributions

CCT	# of LEDs	350 mA			500 mA			700 mA		
		Watts	Lumens	Efficacy	Watts	Lumens	Efficacy	Watts	Lumens	Efficacy
3000K	16	19	2375	125	26	3257	126	36	4361	122
	32	35	4749	136	49	6514	133	69	8723	127
	48	51	7124	140	73	9771	134	103	13084	128
4000K	16	19	2504	132	26	3437	133	36	4602	128
	32	35	5008	144	49	6875	141	69	9203	134
	48	51	7512	148	73	10312	142	103	13805	135

Options

- Pre-wiring.
- Surge protector.
- Zhaga or Nema socket on top of the luminaire to connect OLC or photocell. Zhaga socket at the bottom of the luminaire to add accessories such as sensors.
- Backlight control.
- NTC sensor.

Eco-Design

Luminaire designed in compliance with the environmental criteria of energy efficiency, recyclability and interoperability.

Associate member of the Zhaga consortium, Ragni integrates electronic elements in this product that comply with the Zhaga standard, which ensures its scalability and interoperability.

Member of the Global Compact since 2018, Ragni is committed to working towards the 17 Sustainable Development Goals (SDG 11, 12, 13, 15).

Luminaire guaranteed free of hazardous substances.

Luminaire eligible for the energy savings certificate.

Luminaire compliant with the decree of 27/12/2018 on the prevention, reduction and limitation of light pollution: product configuration to be defined according to the nature of the project.

Rev 20260224 - To continually offer the best product possible, we reserve the right to change, without notice, specifications and/or materials.

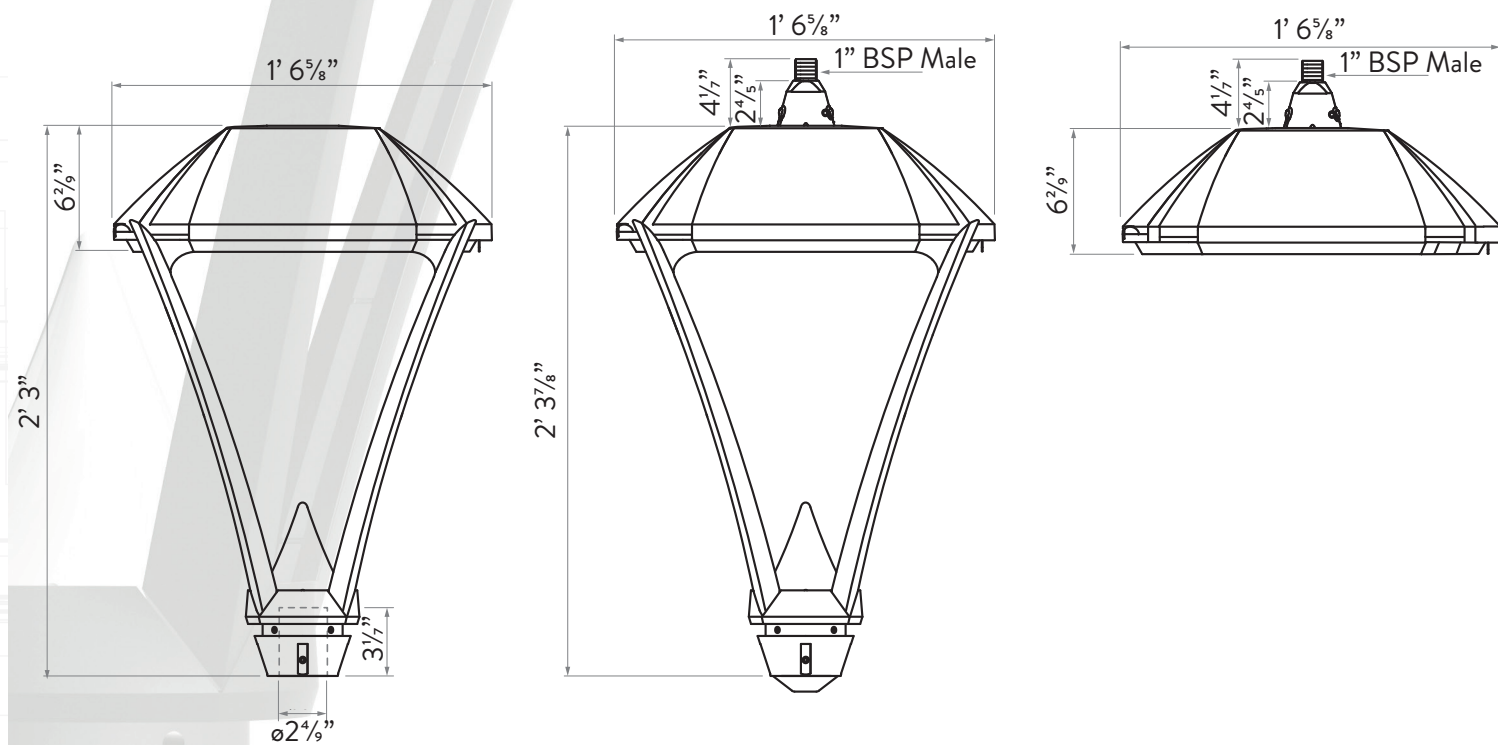
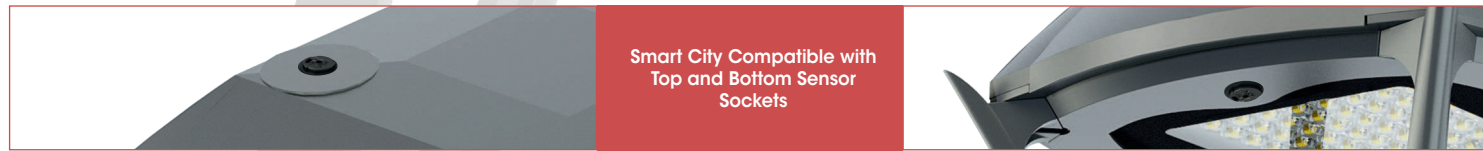
FEATURES AND DIMENSIONS



OXMO Fitting Paint-Matched to Luminaire on Suspended Model



Tool Free Trigger Opening



Rev 20260224 - To continually offer the best product possible, we reserve the right to change, without notice, specifications and/or materials.

ORDERING INFORMATION

MODEL	# OF LEDS*	CCT	DRIVE CURRENT	DISTRIBUTION	LINE VOLTAGE	MOUNTING	FINISH	OPTIONS
URB-R Urbane (Standard)	16 16 LEDs	3 3000K	35 350 mA	T1 Type I	1 120-277v	S Suspended Mount	BLK Black	7PIN 7-PIN Photocell Receptacle
URB-C Urbane C	32 32 LEDs	4 4000K	50 500 mA	T2 Type II	3 347-480v	C Catenary Mount	BRZ Bronze	DIM 0-10v Dimming
	48 48 LEDs		70 700 mA	T3 Type III		TP Post-Top Mount	SLV Silver	LS Lens Shield
	64 64 LEDs		C Custom ¹	T4 Type IV			WHT White	
				T5 Type V			RAL # Custom RAL Color	

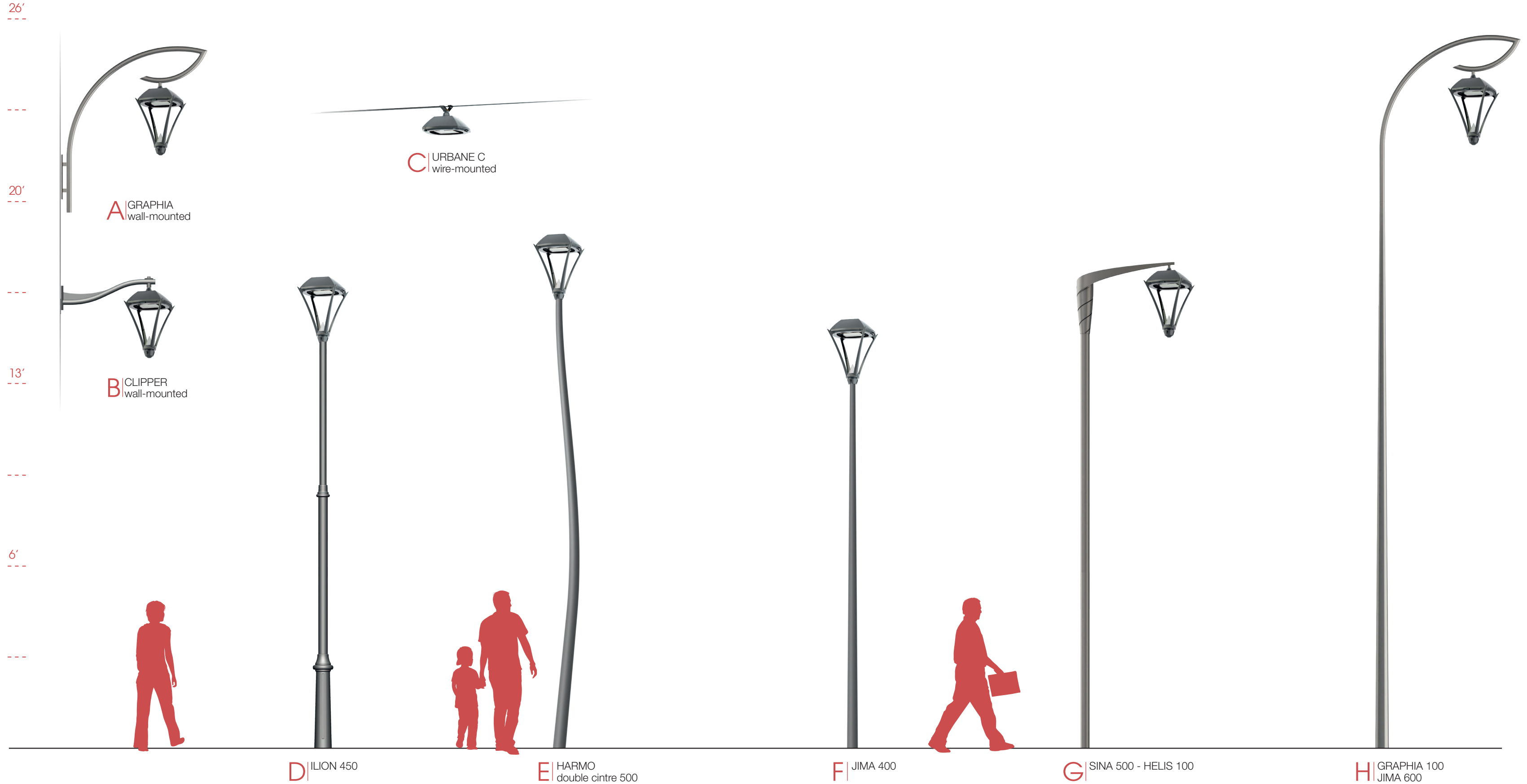
¹Consult factory for custom ordering information.
 Factory assistance is available via phone at 1.720.370.0400 or via email at info@ragnigroupna.com.

Rev 20260224 - To continually offer the best product possible, we reserve the right to change, without notice, specifications and/or materials.

URBANE

7

URBAN LIGHTING | URBANE



8

URBAN LIGHTING | URBANE