



- ▶ Adjustable Sleeve for Lateral or Top Mounting
- ▶ Available in 2 Sizes: Tekk S or Tekk M
- ▶ Thermal Regulation Management by Integral Heat Dissipation Fins
- ▶ Smart City Compatible

TEKK

- 1100 lm
25700 lm
- Tool free opening
- Zhaga standard
- IK10 IP66
- UL LISTED

Tekk is a contemporary rectangular luminaire designed for both residential and roadway lighting applications. Its distinctive profile features a subtle curved thickening near the base, adding visual interest and structural presence.

Available in two sizes, Tekk accommodates 8 to 64 LEDs, delivering a lumen range from 1,100 to 12,900, making it suitable for a variety of urban and suburban lighting scenarios. It offers flexible installation options, including lateral mounting to a bracket or pole-top configuration.

Tekk is also equipped to support advanced smart lighting features such as a 7-pin receptacle, photocell, motion sensor, dimming capability, and an optional heat sink cover for enhanced thermal management. Engineered for performance and versatility, Tekk offers reliable, efficient lighting with a modern aesthetic.



TEKK

SPECIFICATIONS

Physical

	TEKK S	TEKK M
Housing	Cast Aluminum Housing	
Lens	Tempered Glass	
Mounting	Slipfitter Mounting, Adjustable in 5° Increments; for ø2.36" or 3" Poles or Tenons	
Dimensions	1' 10.25" L x 7.67" W	2' 3.17" L x 1' 0.8" W
Weight	13.2 Pounds	19.8 Pounds
Effective Projected Area (EPA) Rating	0.54 ft²	0.47 ft²
Ingress Protection	IP66	
Impact Resistance	IK10	IK08 (IK10 Available on Request)

Electrical

Power Consumption	From 18 to 105 Watts	From 18 to 210 Watts
LED Voltage	Standard Input Voltage from 120-277 Volts High Input Voltage from 347-480 Volts	
Control	Integral LED Driver and Control System. On/Off or 0-10v Dimming	
Electrical Class	I and II	
Operating Temperature	-40° F to 122° F	
Lumen Maintenance	L90 B10 > 100,000 Hours	
Surge Suppression	Optional Surge Suppressor; Standard Electrical Shock Resistance of 6/10 kV (diff/comm)	

Photometrics

Number of LEDs	16 or 32 LEDs	16, 32, 48, or 64 LEDs
CCT	3000K and 4000K Standard; Amber, 2200K, 2700K, and 5700K are available upon request.	
Delivered Lumen Output	2706 to 12945 Lumens	2706 to 25743 Lumens
Efficacy	118 to 160 Lumens per Watt	116 to 160 Lumens per Watt
BUG Rating	B2-U0-G2	

Certifications

NRTL	Luminaire is Certified to North American Safety Standards and Requirements by Nationally Recognized Testing Laboratories.
-------------	---

Rev 20260224 - To continually offer the best product possible, we reserve the right to change, without notice, specifications and/or materials.

TEKK

SPECIFICATIONS (CONTINUED)

Light Distributions

Tekk Model	CCT	# of LEDs	350 mA			500 mA			700 mA			1050 mA			
			Watts	Lumens	Efficacy	Watts	Lumens	Efficacy	Watts	Lumens	Efficacy	Watts	Lumens	Efficacy	
S	M	3000K	16	18	2706	151	26	3711	143	36	4836	135	53	6232	118
			32	35	5376	154	49	7422	152	67	9672	145	105	12466	119
			48	51	7124	140	73	9771	134	103	13084	128	158	18295	116
			64	68	9499	140	96	13028	136	136	17445	129	210	24394	117
S	M	4000K	16	18	2811	157	26	3854	149	36	5023	140	53	6473	123
			32	35	5583	160	49	7707	158	67	10044	150	105	12945	124
			48	51	7512	148	73	10312	142	103	13805	135	158	19307	123
			64	68	10016	148	96	13749	144	136	18406	136	210	25743	123

Options

TEKK S

- Pre-wiring.
- Surge protector.
- Zhaga or Nema socket on top of the luminaire to connect OLC or photocell. Zhaga socket at the bottom of the luminaire to add accessories such as sensors.
- Reducing Wedge option for ø1½", ø1⅔", or ø1⅞" tenons or poles.
- Backlight control.
- NTC sensor.
- Automatic disconnection when the luminaire is opened.
- Safety hook.
- Covers under the PCBs.

TEKK M

- Pre-wiring.
- Surge protector.
- Zhaga or Nema socket on top of the luminaire to connect OLC or photocell. Zhaga socket at the bottom of the luminaire to add accessories such as sensors.
- Reducing Wedge option for ø1½", ø1⅔", or ø1⅞" tenons or poles.
- Backlight control.
- NTC sensor.
- Automatic disconnection when the luminaire is opened.
- IK10 protection.

Eco-Design

Luminaire designed in compliance with the environmental criteria of energy efficiency, recyclability and interoperability.

Associate member of the Zhaga consortium, Ragni integrates electronic elements in this product that comply with the Zhaga standard, which ensures its scalability and interoperability.

Member of the Global Compact since 2018, Ragni is committed to working towards the 17 Sustainable Development Goals (SDG 11, 12, 13, 15).

Luminaire guaranteed free of hazardous substances.

Luminaire eligible for the energy savings certificate.

Luminaire compliant with the decree of 27/12/2018 on the prevention, reduction and limitation of light pollution: product configuration to be defined according to the nature of the project.

Rev 20260224 - To continually offer the best product possible, we reserve the right to change, without notice, specifications and/or materials.

TEKK S

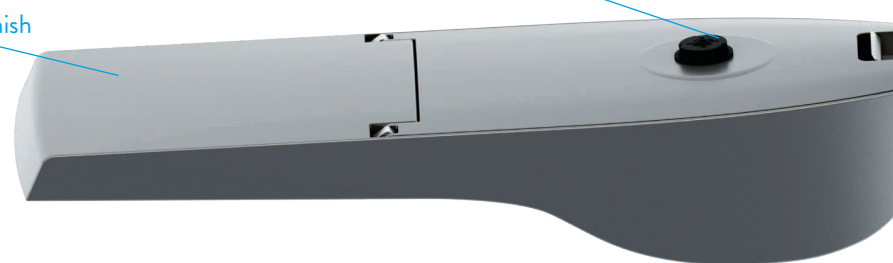
IP68 Vent
Tool-Free Opening



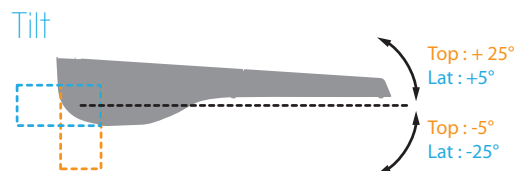
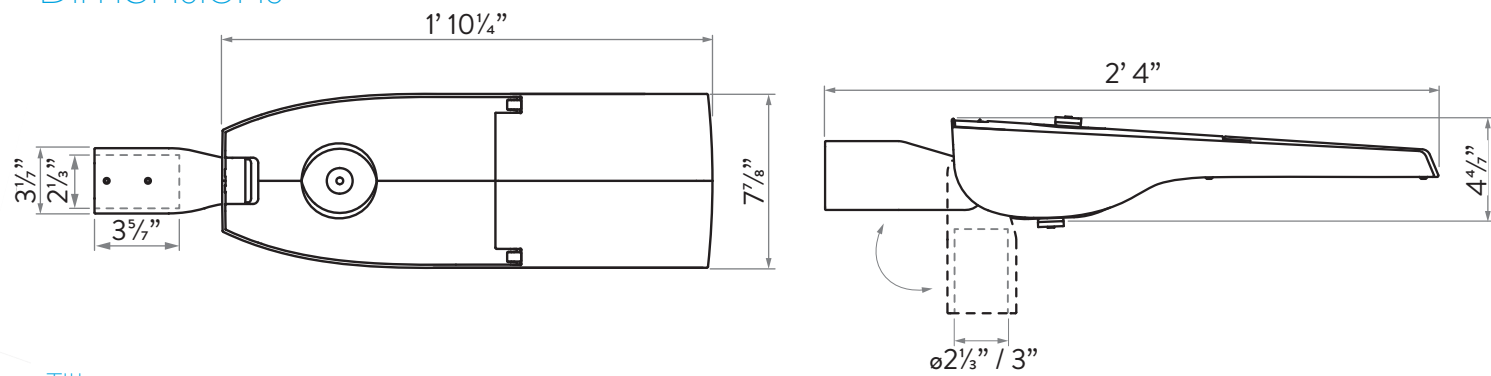
Adjustable Tilt in 5° Increments

Standard Slipfitter Mount for ø2 3/8" Poles and Tenons; Optional Reducing Wedge to Support Mounting to ø1 1/2", ø1 3/8", or ø1 1/4" Tenons or Poles

Smooth Top Finish
Zhaga Socket



Dimensions

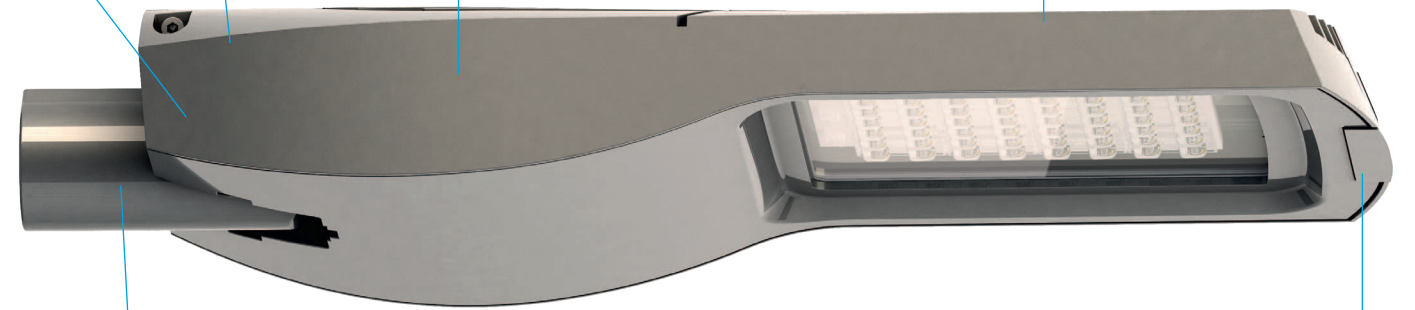


Installation Note:
Tilting adapts the luminaire to different bracket configurations. In order to comply with light pollution control requirements, the inclination of a luminaire should not exceed 20°.

Rev 20260224 - To continually offer the best product possible, we reserve the right to change, without notice, specifications and/or materials.

TEKK M

IP68 Vent
Door With Double Hinge
Integral Driver
Thermal Regulation Fins

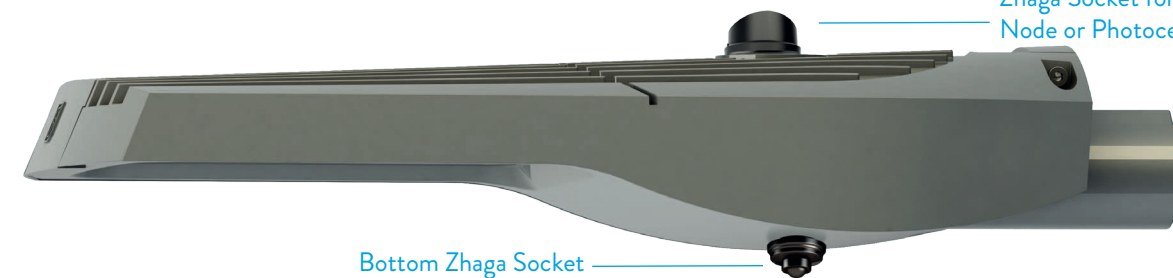


Adjustable Tilt in 5° Increments

Standard Slipfitter Mount for ø2 3/8" Poles and Tenons; Optional Reducing Wedge to Support Mounting to ø1 1/2", ø1 3/8", or ø1 1/4" Tenons or Poles

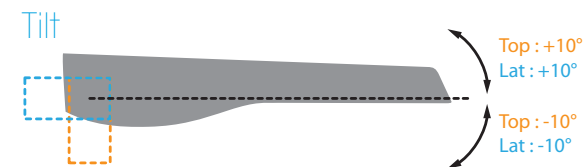
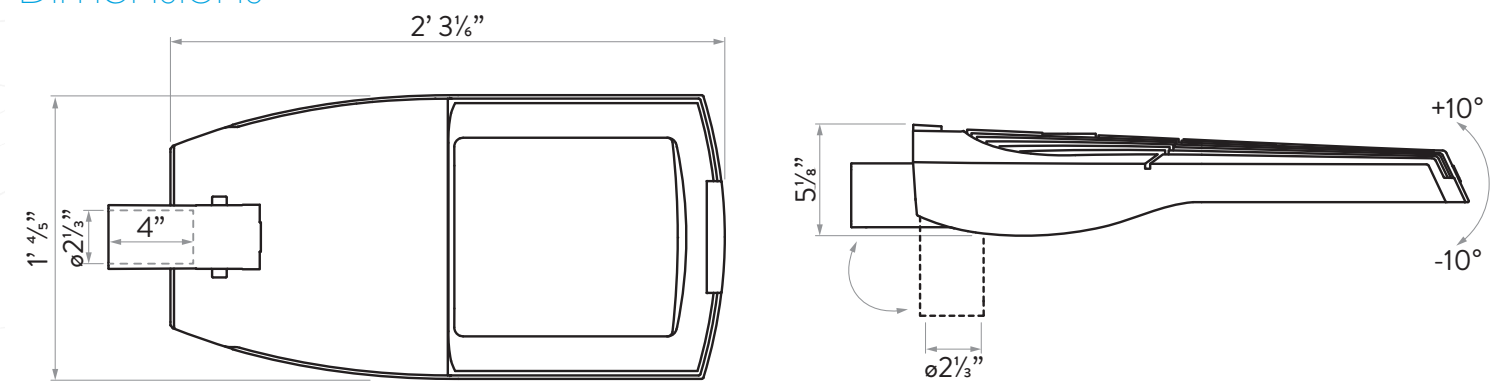
Tool-Free Opening Hook

Zhaga Socket for Communication Node or Photocell



Bottom Zhaga Socket

Dimensions



Installation Note:
Tilting adapts the luminaire to different bracket configurations. In order to comply with light pollution control requirements, the inclination of a luminaire should not exceed 20°.

Rev 20260224 - To continually offer the best product possible, we reserve the right to change, without notice, specifications and/or materials.

ORDERING INFORMATION

MODEL	# OF LEDS*	CCT	DRIVE CURRENT	DISTRIBUTION	LINE VOLTAGE	MOUNTING	FINISH	OPTIONS
TEKK-S Tekk S 16 or 32 LEDs	16 16 LEDs	3 3000K	35 350 mA	T1 Type I	1 120-277v	TP2 ø2.38" Post-Top Mount	BLK Black	RW Reducing Wedge (For ø1½", ø1½", or ø1¼" Poles/Tenons)
TEKK-M Tekk M 16/32/48/64 LEDs	32 32 LEDs	4 4000K	50 500 mA	T2 Type II	3 347-480v	TP3 ø3" Post-Top Mount* *Tekk S Only	BRZ Bronze	7PIN 7-Pin Photocell Receptacle
	48 48 LEDs		70 700 mA	T3 Type III		LT Lateral Mount	SLV Silver	MS Motion Sensor
	64 64 LEDs		105 1050 mA	T4 Type IV			WHT White	DIM 0-10v Dimming
				T5 Type V			RAL # Custom RAL Color	HSC Heat Sink Cover
								LS Lens Shield

*Consult factory for custom ordering information.

Factory assistance is available via phone at 1.720.370.0400 or via email at info@ragnigroupna.com.



Rev 20260224 - To continually offer the best product possible, we reserve the right to change, without notice, specifications and/or materials.

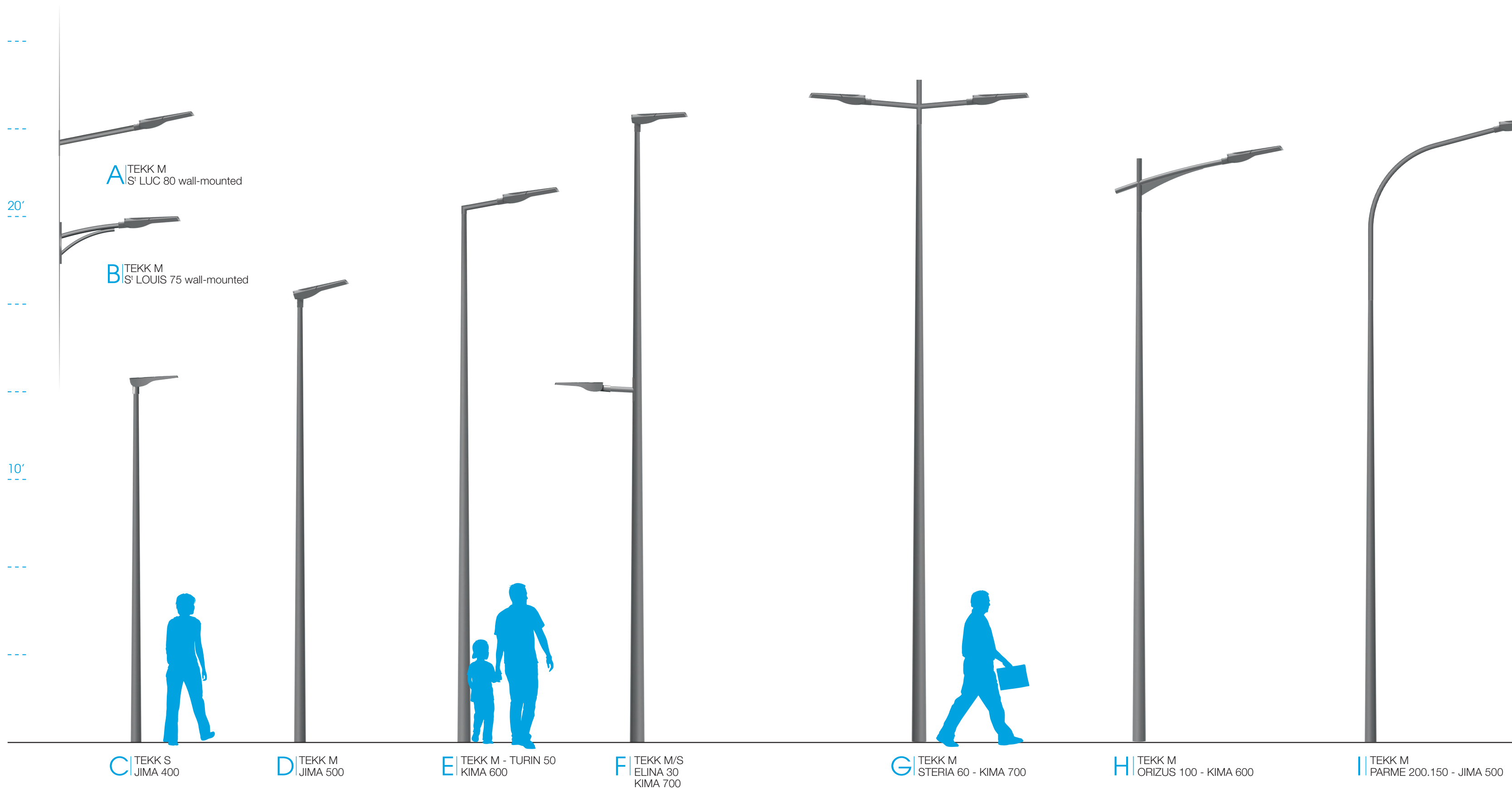


Rev 20260224 - To continually offer the best product possible, we reserve the right to change, without notice, specifications and/or materials.

TEKK

9

AREA LIGHTING | TEKK



10

AREA LIGHTING | TEKK