

PULSE



DESIGN
estech
WWW.ESTECH-DESIGN.COM

- ▶ Two-Tone Finish Options
- ▶ Screen-Printed Glass Adapted to the Number of LEDs
- ▶ Lateral or Top Mounting Via Aluminium Sleeve



Zhaga
standard

1500 lm
13800 lm

Pulse is a high-performance luminaire specifically designed for roadway lighting, featuring a sleek, aerodynamic profile with a flat rectangular form, a rounded rear, and a tapered front for a modern, low-profile aesthetic.

UL
LISTED

Available with 16 to 64 LEDs, Pulse delivers a lumen output ranging from 1,500 to 13,800, providing flexible illumination options for a variety of roadway applications. Mounting versatility is built in, with options for lateral bracket installation or top mounting on poles, ensuring compatibility with diverse streetscape designs.

IK08
IP66

Pulse combines performance, efficiency, and style to meet the demands of contemporary urban infrastructure.

PULSE

SPECIFICATIONS

Physical

Housing	Die-Cast Aluminum
Lens	Tempered Glass
Mounting	Slipfitter Mounting; for ø2.36" or 3" Poles or Tenons
Dimensions	2' 4" L x 1' 2.57" W
Weight	17.6 Pounds
Ingress Protection	IP66
Impact Resistance	IK08; IK10 Available on Request
Effective Projected Area (EPA) Rating	0.75 ft ²

Electrical

Power Consumption	From 19 to 105 Watts
LED Voltage	Standard Input Voltage from 120-277 Volts High Input Voltage from 347-480 Volts
Control	Integral LED Driver and Control System. On/Off or 0-10v Dimming
Electrical Class	I and II
Operating Temperature	-40° F to 122° F
Lumen Maintenance	L90 B10 > 100,000 Hours

Photometrics

Number of LEDs	Single LED Module	Double LED Modules
	16 or 32 LEDs	48 or 64 LEDs
CCT	3000K and 4000K Standard; Amber, 2200K, 2700K, and 5700K Available on Request	
Delivered Lumen Output	From 2375 to 13805 Lumens	
Efficacy (lumens per watt)	From 116 to 148 Lumens per Watt	
BUG Rating	B2-U0-G2	

Certifications

NRTL	Luminaire is Certified to North American Safety Standards and Requirements by Nationally Recognized Testing Laboratories.
-------------	---

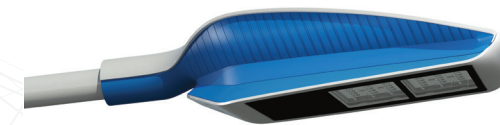
Light Distributions

CCT	# of LEDs	350 mA			500 mA			700 mA			1050 mA		
		Watts	Lumens	Efficacy	Watts	Lumens	Efficacy	Watts	Lumens	Efficacy	Watts	Lumens	Efficacy
3000K	16	19	2375	125	26	3257	126	36	4361	122	53	6098	116
	32	35	4749	136	49	6514	133	69	8723	127	105	12197	117
	48	51	7124	140	73	9771	134	103	13084	128	-	-	-
	64	68	9499	140	96	13028	136	-	-	-	-	-	-
4000K	16	19	2504	132	26	3437	133	36	4602	128	53	6436	122
	32	35	5008	144	49	6875	141	69	9203	134	105	12871	123
	48	51	7512	148	73	10312	142	103	13805	135	-	-	-
	64	68	10016	148	96	13749	144	-	-	-	-	-	-

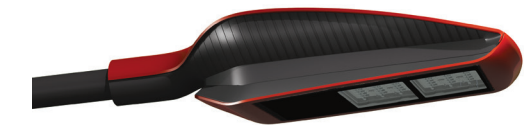
Options

- Pre-wiring.
- Surge protector.
- Zhaga or Nema socket on top of the luminaire to connect OLC or photocell.
- Reducing Wedge option to support mounting to ø1½", ø1¾", or ø1⅞" tenons or poles.

- Fixing sleeve at the top of the mast for ø2½" or ø3".
- Backlight control.
- NTC sensor.
- IK10 protection.
- Two-tone.



□ RAL 9010
■ RAL 5015



■ RAL 3001
■ RAL 9005

Eco-Design

Luminaire designed in compliance with the environmental criteria of energy efficiency, recyclability and interoperability.

Associate member of the Zhaga consortium, Ragni integrates electronic elements in this product that comply with the Zhaga standard, which ensures its scalability and interoperability.

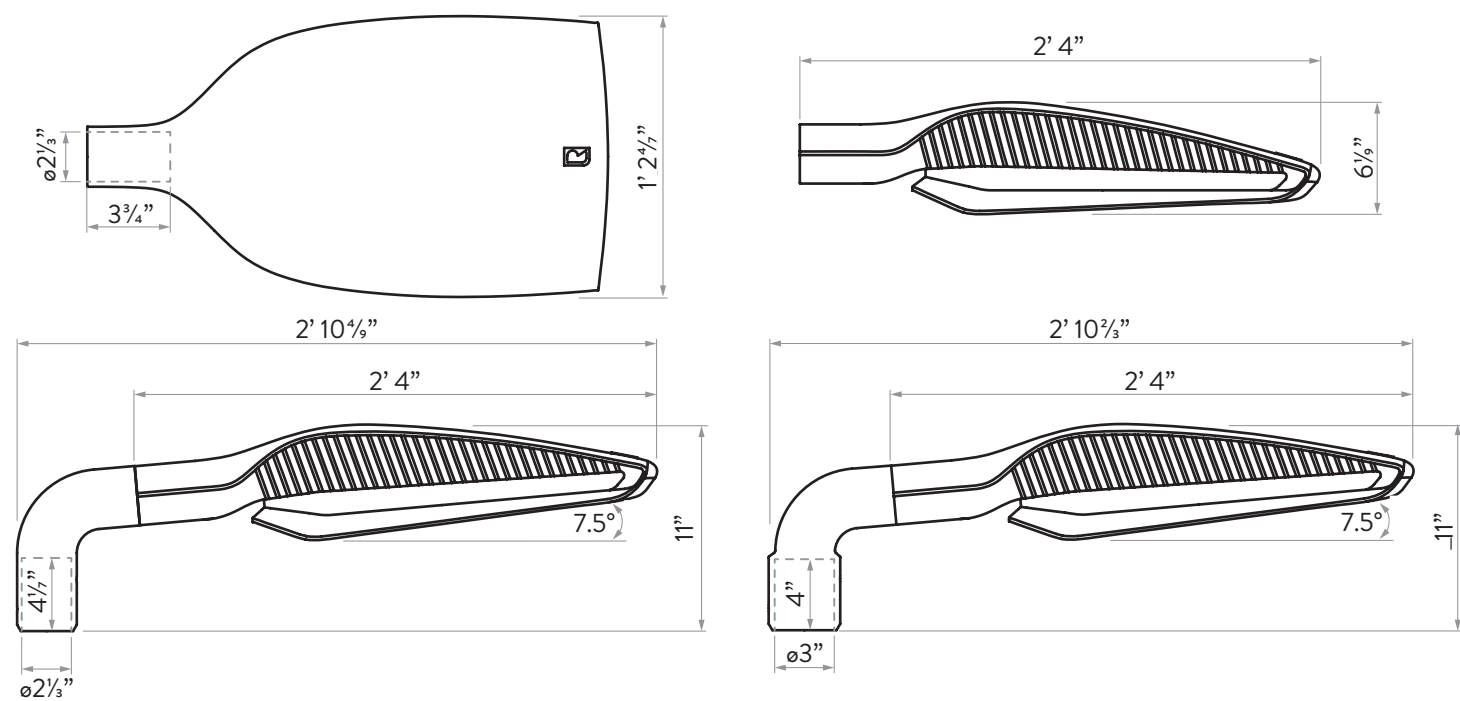
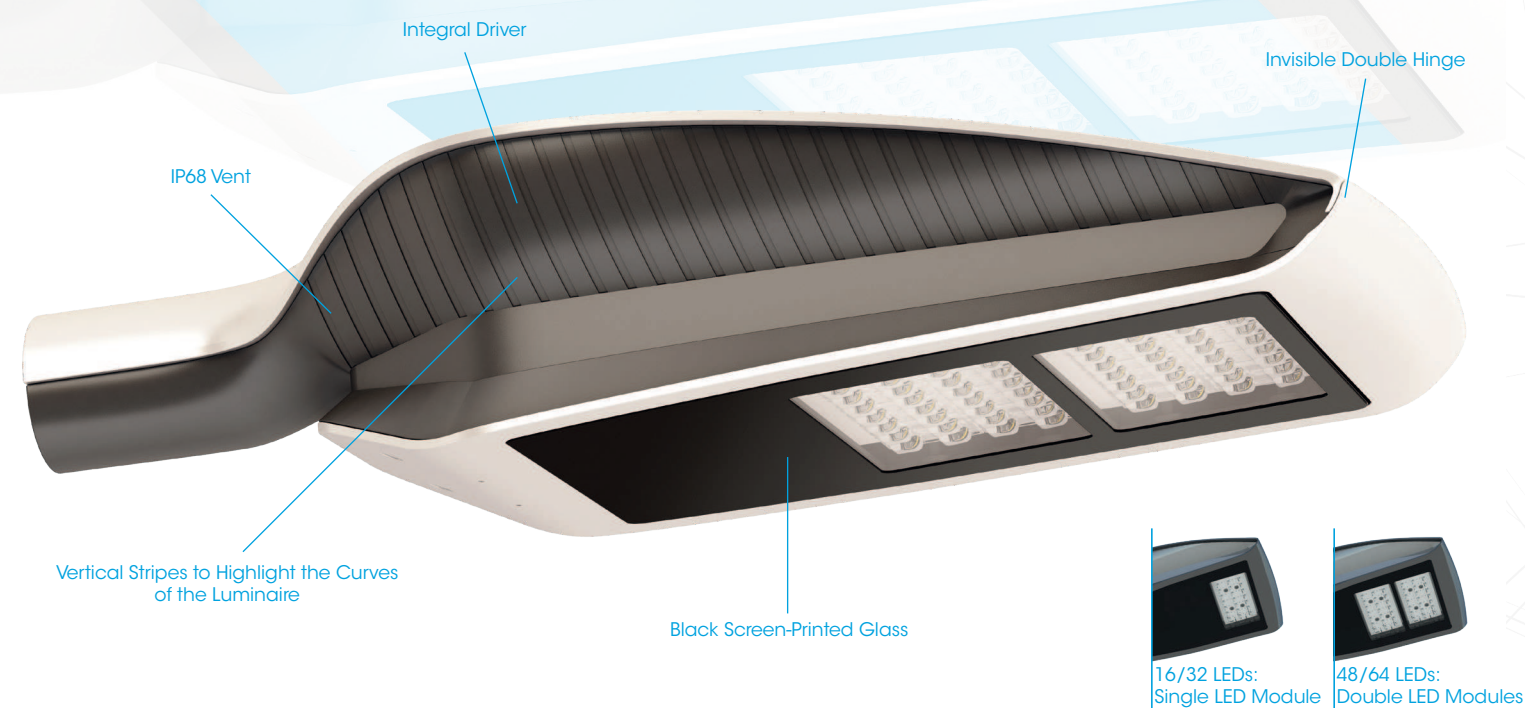
Member of the Global Compact since 2018, Ragni is committed to working towards the 17 Sustainable Development Goals (SDG 11, 12, 13, 15).

Luminaire guaranteed free of hazardous substances.

Luminaire eligible for the energy savings certificate.

Luminaire compliant with the decree of 27/12/2018 on the prevention, reduction and limitation of light pollution: product configuration to be defined according to the nature of the project.

FEATURES AND DIMENSIONS



Rev 20260224 - To continually offer the best product possible, we reserve the right to change, without notice, specifications and/or materials.

ORDERING INFORMATION

MODEL	# OF LEDs*	CCT	DRIVE CURRENT	DISTRIBUTION	LINE VOLTAGE	MOUNTING	FINISH	OPTIONS
PUL Pulse Area Light	16 16 LEDs Single LED Module	3 3000K	35 350 mA	T1 Type I	1 120-277v	TP2 2.38" Post-Top Mount	BLK Black	RW Reducing Wedge (For $\phi 1\frac{1}{2}$ ", $\phi 1\frac{1}{4}$ ", or $\phi 1\frac{1}{8}$ " Poles/Tenons)
	32 32 LEDs Single LED Module	4 4000K	50 500 mA	T2 Type II	3 347-480v	TP3 3" Post-Top Mount	BRZ Bronze	7PIN 7-Pin Photocell Receptacle
	48 48 LEDs Double LED Modules		70 700 mA	T3 Type III		LT Lateral Mounting	SLV Silver	DIM 0-10v Dimming
	64 64 LEDs Double LED Modules		105 1050 mA ²	T4 Type IV			WHT White	LS Lens Shield
			C Custom ¹	T5 Type V			RAL # Custom RAL Color	

¹Consult factory for custom ordering information.

Factory assistance is available via phone at 1.720.370.0400 or via email at info@ragnigroupna.com.

Rev 20260224 - To continually offer the best product possible, we reserve the right to change, without notice, specifications and/or materials.



Rev 20260224 - To continually offer the best product possible, we reserve the right to cha.

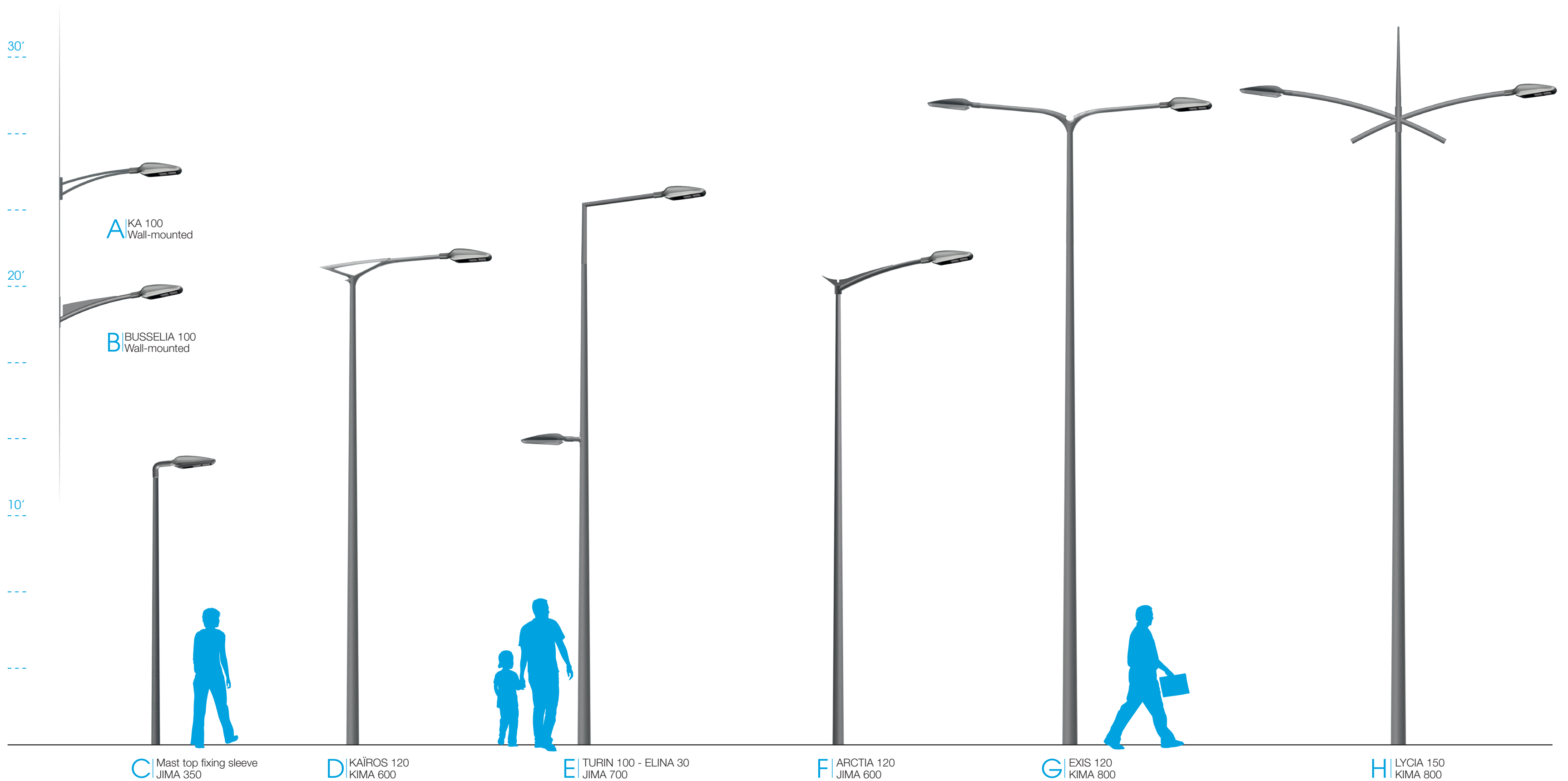


Rev 20260224 - To continually offer the best product possible, we reserve the right to change, without notice, specifications and/or materials.

PULSE

9

AREA LIGHTING | PULSE



10

AREA LIGHTING | PULSE