

GRIFF



The Griff range is purpose-built for high-performance roadway lighting and is available in three sizes: S, L, and XL. It accommodates between 16 and 80 LEDs, delivering a powerful lumen output ranging from 2,000 to 28,000, making it suitable for a wide variety of urban and infrastructure lighting needs.

For projects that require more precise and versatile illumination, Griff S can be paired with slide bracket systems available in multiple configurations—with 1, 2, or 4 luminaires—each designated by a letter corresponding to its shape and layout.

The L version (1-light) is ideal for pathways or narrow alleys.

The S version (2-light) and H version (4-light) are well-suited for dual carriageways or roads divided by a central reservation.

The T version, like the H, uses two lights per road, but allows for greater spacing between poles, optimizing efficiency without compromising uniformity.

With its modular design, performance flexibility, and targeted lighting capabilities, the Griff range offers a smart and scalable solution for modern road and street lighting applications.

www.ragni-group.com

GROUPE RAGNI
North America



▶ IP66 Double Compartment.

▶ 3 Variants: Griff S, L, and XL

▶ Thermal Regulation via Integrated Radiator



GRIFF

SPECIFICATIONS

Physical

	GRIFF S	GRIFF L	GRIFF XL
Housing		Cast Aluminum	
Lens		Tempered Glass	
Length (nominal)	2' 3"	2' 7"	2' 10"
Mounting	Post Top, Lateral, or Wall Mounting Options Available		
Weight	11 Pounds	22 Pounds (Top Mount) 26.5 Pounds (Lateral Mount)	23 Pounds (Top Mount) 27.5 Pounds (Lateral Mount)
Effective Projected Area (EPA) Rating	0.28 ft ²	0.34 ft ² (Top Mount) 0.47 ft ² (Lateral Mount)	0.65 ft ² (Top Mount) 0.75 ft ² (Lateral Mount)
Ingress Protection		IP66	
Impact Resistance	IK08	IK09	IK08

Electrical

Power Consumption	From 19 to 79 Watts	From 35 to 136 Watts	From 36 to 265 Watts
LED Voltage	Standard Input Voltage from 120-277 Volts High Input Voltage from 347-480 Volts		
Control	Integral LED Driver and Control System: On/Off or 0-10v Dimming		
Electrical Class	I and II		
Operating Temperature	-40° F to 122° F		
Lumen Maintenance	L90 B10 > 100,000 Hours		
Surge Suppression	Optional Surge Suppressor; Standard Electrical Shock Resistance of 6/10 kV (diff/comm)		

Photometrics

Number of LEDs	16, 24, or 32 LEDs	32, 48, or 64 LEDs	32, 48, 64, or 80 LEDs
CCT	3000K and 4000K Standard; Amber, 2200K, 2700K, and 5700K are available upon request.		
Delivered Lumen Output	2375 to 10044 Lumens	5376 to 20091 Lumens	4040 to 27740 Lumens
Efficacy	116 to 160 Lumens per Watt	140 to 165 Lumens per Watt	92 to 134 Lumens per Watt
BUG Rating	B2-U0-G2		B3-U0-G3

Certifications

NRTL	Luminaire is Certified to North American Safety Standards and Requirements by Nationally Recognized Testing Laboratories.
-------------	---

Light Distributions

Griff Model	# of LEDs	350 mA			500 mA			700 mA			1050 mA		
		Watts	Lumens	Efficacy	Watts	Lumens	Efficacy	Watts	Lumens	Efficacy	Watts	Lumens	Efficacy
3000K													
S	16	19	2375	125	26	3257	126	36	4361	122	53	6098	116
	24	27	3557	132	38	4888	129	52	6542	126	79	9148	116
	32	35	5376	154	49	7421	151	69	9671	140	-	-	-
	L	48	51	8119	159	73	11132	152	103	14509	141	-	-
	64	68	10825	159	96	14843	155	136	19344	142	-	-	-

4000K													
S	16	19	2504	132	26	3437	133	36	4602	128	53	6436	122
	24	27	3761	140	38	5156	136	52	6902	133	79	9656	123
	32	35	5583	160	49	7707	157	69	10044	146	-	-	-
	L	48	51	8432	165	73	11562	158	103	15069	146	-	-
	64	68	11243	165	96	15416	161	136	20091	148	-	-	-

Griff Model	# of LEDs	350 mA			500 mA			700 mA			1050 mA		
		Watts	Lumens	Efficacy	Watts	Lumens	Efficacy	Watts	Lumens	Efficacy	Watts	Lumens	Efficacy
3000K													
XL	32	36	4040	112	52	5770	112	73	7590	104	112	10265	92
	48	54	6060	113	77	8655	113	108	11385	105	161	15395	96
	64	69	8075	117	100	11540	116	142	15180	107	215	20525	95
	80	86	10095	118	123	14425	117	175	18975	108	265	25655	97
4000K													
XL	32	36	4595	128	52	6235	121	73	8205	112	112	11095	99
	48	54	6895	129	77	9355	122	108	12310	114	161	16645	104
	64	69	9190	133	100	12475	125	142	16415	116	215	22190	103
	80	86	11490	134	123	15595	127	175	20515	117	265	27740	105

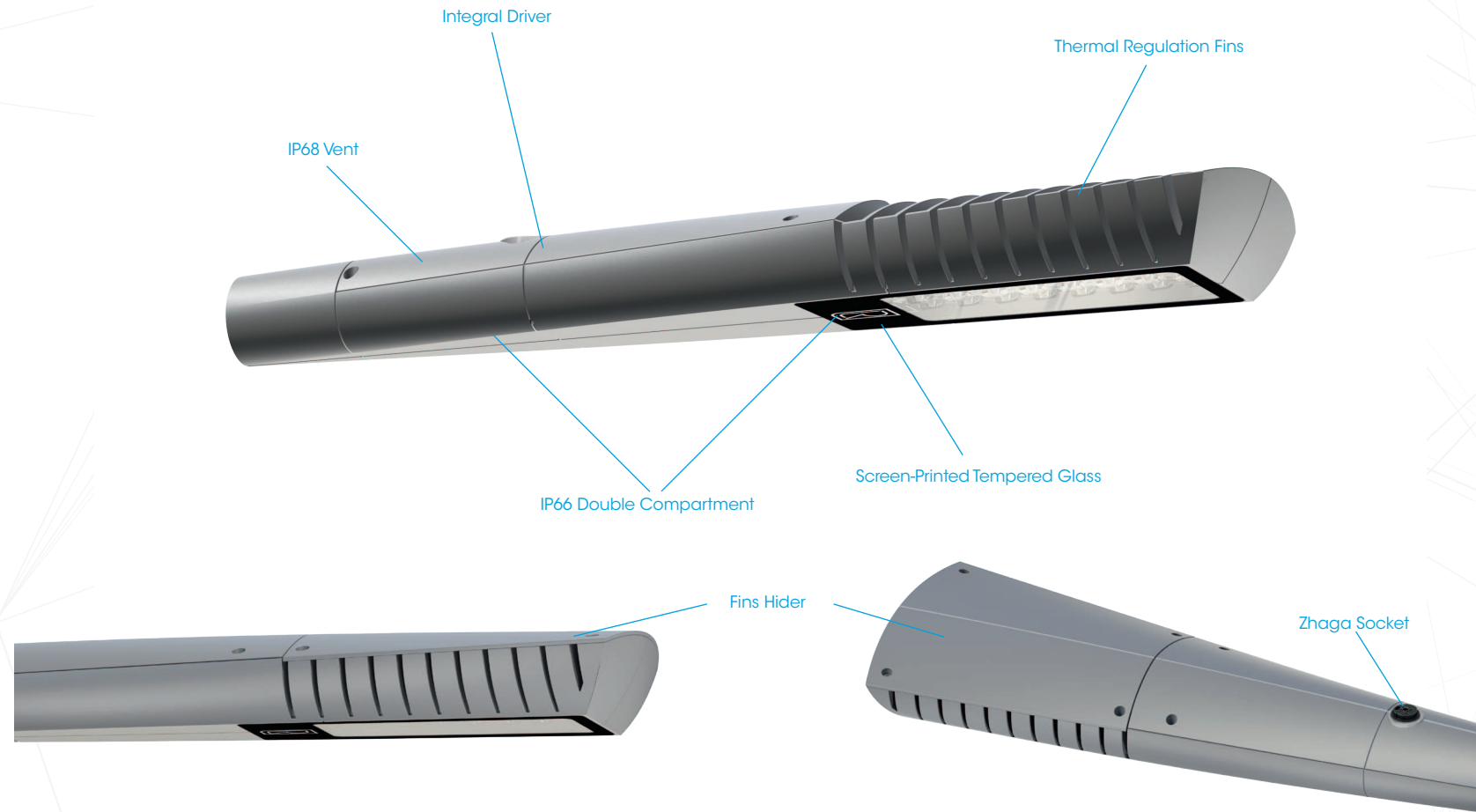
Options

- Pre-wiring.
- Surge protector.
- Zhaga or Nema socket on top of the luminaire to connect OLC or photocell. Zhaga socket at the bottom of the luminaire to add accessories such as sensors.
- Backlight control.
- NTC sensor.
- Automatic disconnection when the luminaire is opened.
- Fins hider.

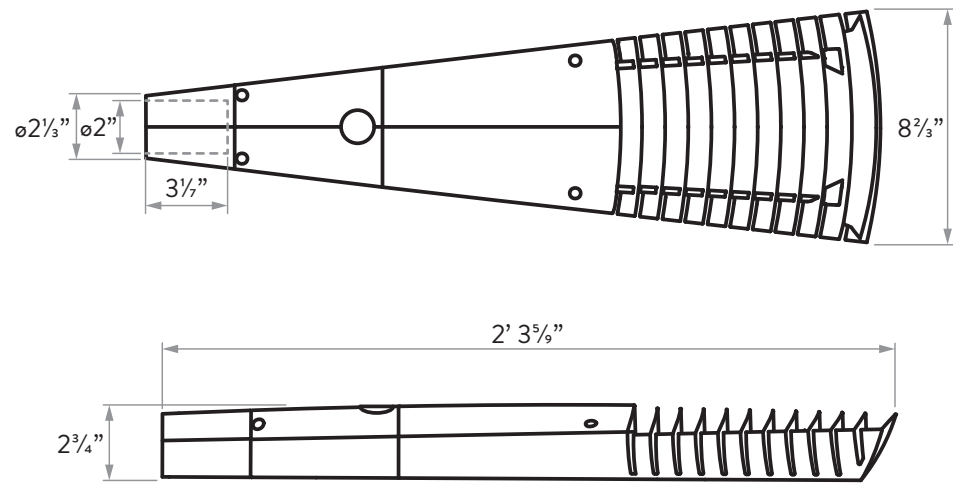
Eco-Design

Luminaire designed in compliance with the environmental criteria of energy efficiency, recyclability and interoperability. Associate member of the Zhaga consortium, Ragni integrates electronic elements in this product that comply with the Zhaga standard, which ensures its scalability and interoperability. Member of the Global Compact since 2018, Ragni is committed to working towards the 17 Sustainable Development Goals (SDG 11, 12, 13, 15). Luminaire guaranteed free of hazardous substances. Luminaire eligible for the energy savings certificate. Luminaire compliant with the decree of 27/12/2018 on the prevention, reduction and limitation of light pollution: product configuration to be

GRIFF S



Dimensions

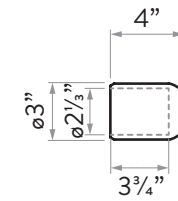


Rev 20260219 - To continually offer the best product possible, we reserve the right to change, without notice, specifications and/or materials.

GRIFF S

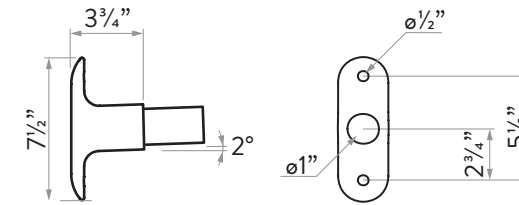
MOUNTING OPTIONS

SLV: Sleeve for $\phi 2\frac{1}{3}$ " Bracket



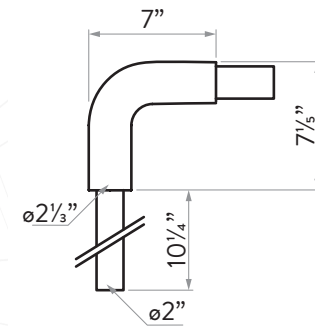
Weight	12 Pounds
EPA	0.28 ft ²

WM: Wall or Pole Mount



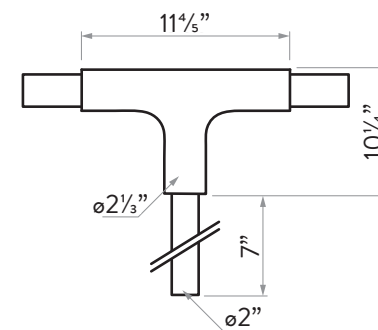
Weight	13.2 Pounds
EPA	0.32 ft ²

TP1L: Top Mount - Single Luminaire



Weight	15.4 Pounds
EPA	0.42 ft ²

TP2L: Top Mount - Dual Luminaires



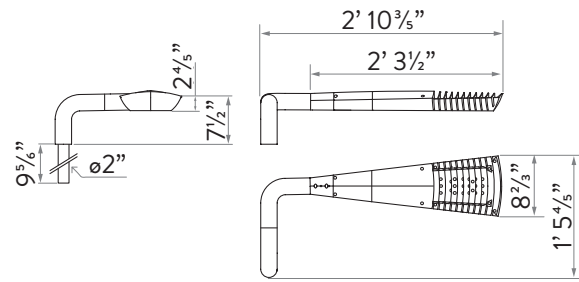
Weight	28.7 Pounds
EPA	0.70 ft ²

Rev 20260219 - To continually offer the best product possible, we reserve the right to change, without notice, specifications and/or materials.

GRIFF S

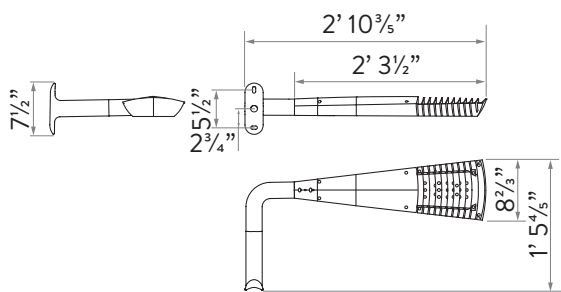
ADDITIONAL MOUNTING OPTIONS

SLPT: Slide L (Post-Top)



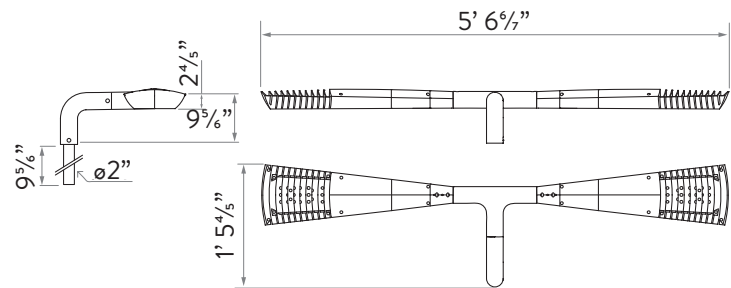
Weight 17.6 Pounds
EPA 0.75 ft²

SLWM: Slide L (Wall)



Weight 15.4 Pounds
EPA 0.65 ft²

STPT: Slide T (Post-Top)

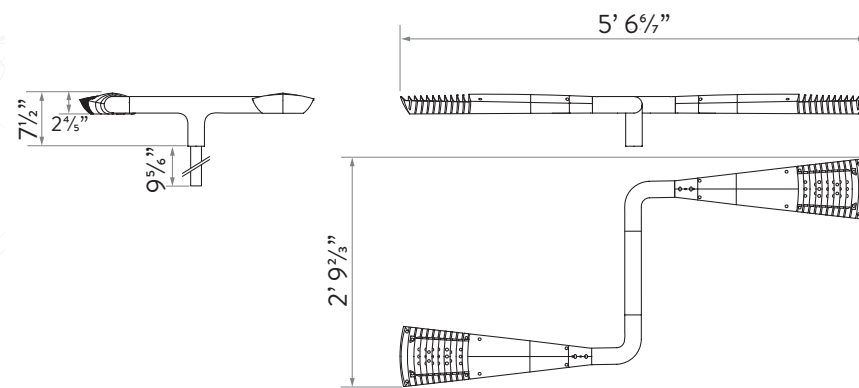


Weight 30.9 Pounds
EPA 1.18 ft²

GRIFF S

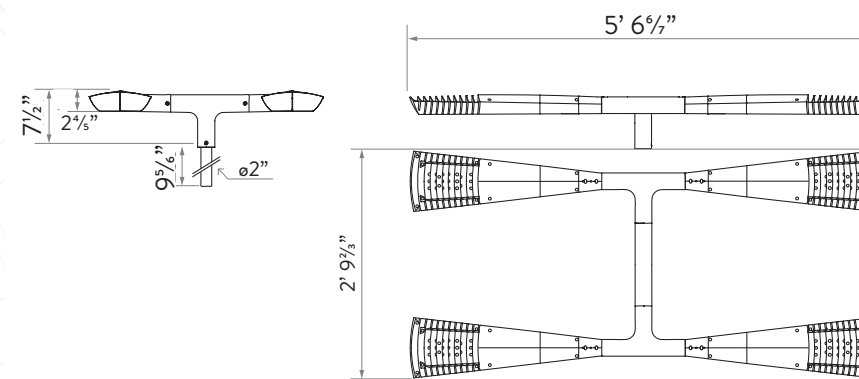
ADDITIONAL MOUNTING OPTIONS

SSPT: Slide S (Post-Top)



Weight 33.1 Pounds
EPA 1.29 ft²

SHPT: Slide H (Post-Top)



Weight 59.5 Pounds
EPA 2.26 ft²

Rev 20260219 - To continually offer the best product possible, we reserve the right to change, without notice, specifications and/or materials.

Rev 20260219 - To continually offer the best product possible, we reserve the right to change, without notice, specifications and/or materials.

GRIFF

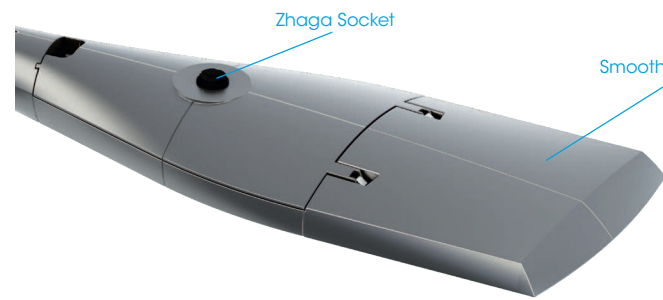


Tool-Free Opening Of The Electrical Compartment.



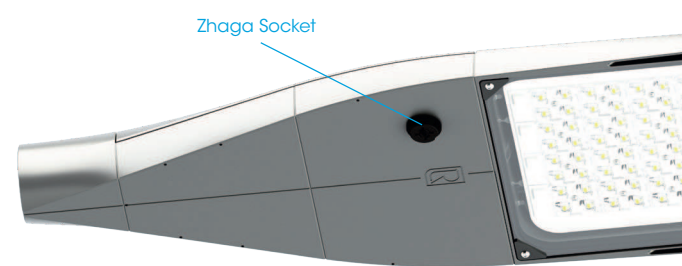
IP66 Double Compartment.

White Mask



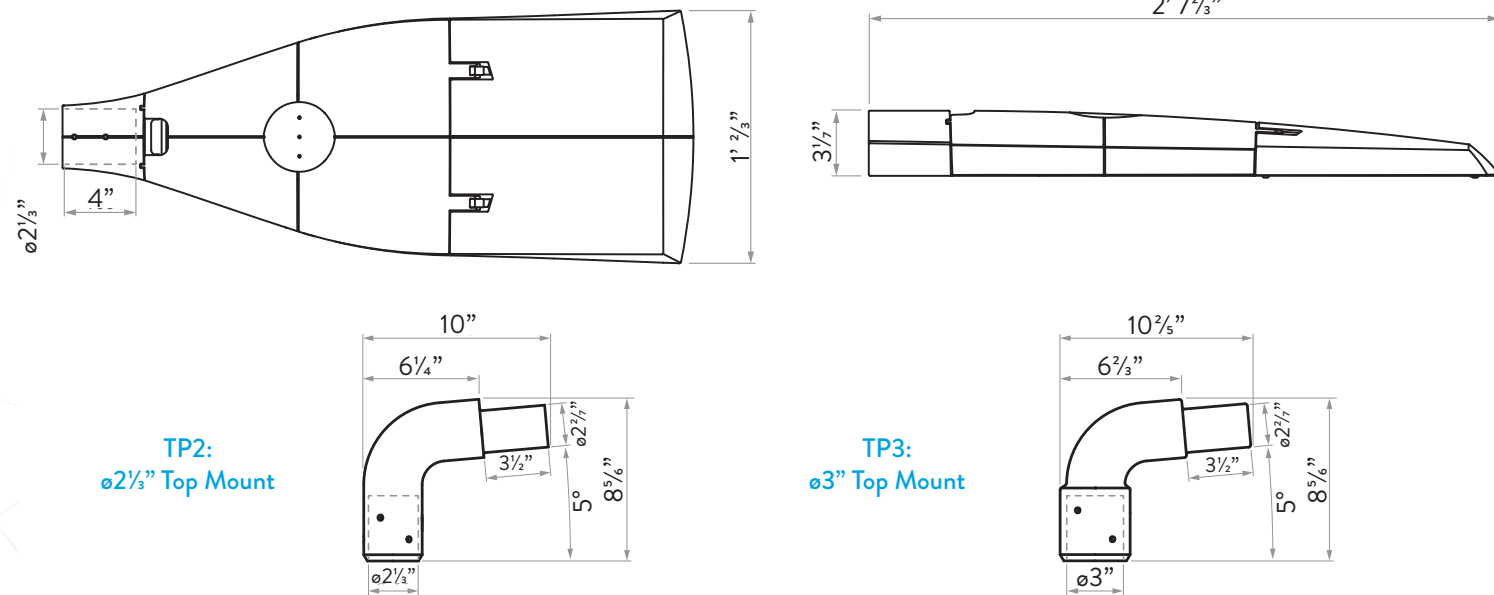
Zhaga Socket

Smooth Top Finish



Zhaga Socket

Dimensions



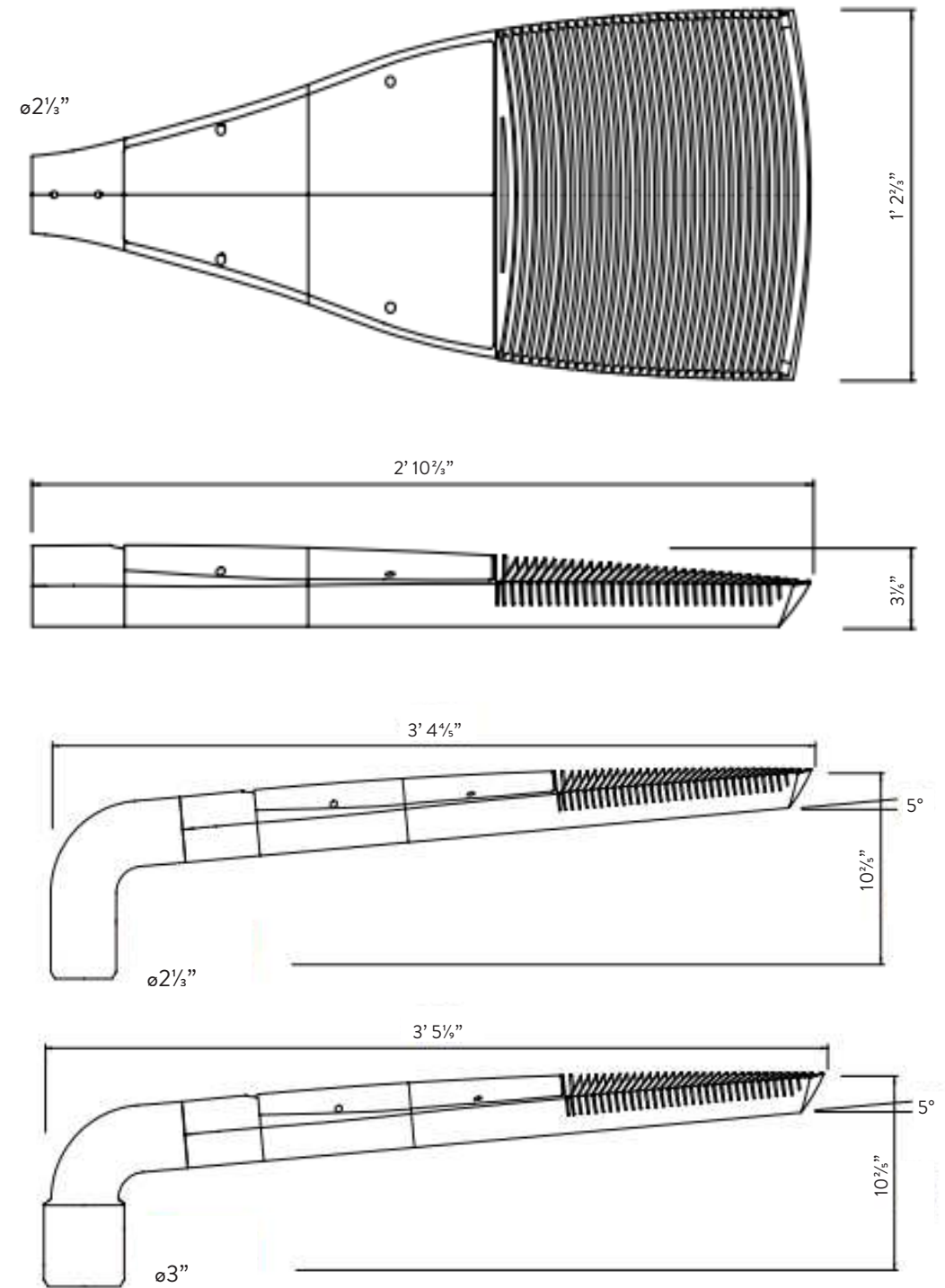
TP2: $\phi 2\frac{1}{2}$ " Top Mount

TP3: $\phi 3$ " Top Mount

Rev 20260219 - To continually offer the best product possible, we reserve the right to change, without notice, specifications and/or materials.

GRIFF XL

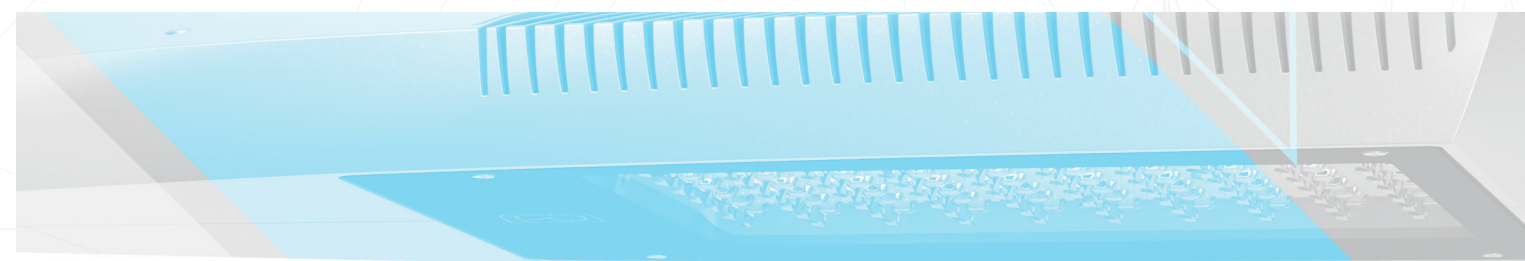
Dimensions



TP2: $\phi 2\frac{1}{2}$ " Top Mount

TP3: $\phi 3$ " Top Mount

Rev 20260219 - To continually offer the best product possible, we reserve the right to change, without notice, specifications and/or materials.



ORDERING INFORMATION

MODEL	SIZE	# OF LEDs	CCT	DRIVE CURRENT	DISTRIBUTION	LINE VOLTAGE	MOUNTING	FINISH	OPTIONS
GRF Griff Luminaire	S Small Model 16, 24, or 32 LEDs	16 16 LEDs	3 3000K	35 350 mA	T1 Type I Griff L or XL Only	1 120-277v	SLV Sleeve for 2.36" Lateral Bracket ²	BLK Black	7PIN 7-Pin Photocell Receptacle
	L Large Model 32, 48, or 64 LEDs	24 24 LEDs	4 4000K	50 500 mA	T2 Type II	3 347-480v	WM Wall Mount ²	BRZ Bronze	DIM 0-10v Dimming Control
	XL Extra-Large Model 32, 48, 64, or 80 LEDs	32 32 LEDs		70 700 mA	T3 Type III		TP1L Top Mount - Single Luminaire ²	SLV Silver	MS Motion Sensor
		48 48 LEDs		105 1050 mA	T4 Type IV		TP2L Top Mount - Dual Luminaires ²	WHT White	HSC Heat Sink Cover
		64 64 LEDs		C Custom ¹	T5 Type V		SLPT Slide L - Post Top ²	RAL # Custom RAL Color	LS Lens Shield
	80 80 LEDs					SLWM Slide L - Wall Mount ²			
						STPT Slide T - Post Top ²			
						SSPT Slide S - Post Top ²			
						SHPT Slide H - Post Top ²			
						TP2 Top Mount for 2.38" Tenons			
						TP3 Top Mount for 3" Tenons			

¹Consult factory for custom ordering information.

²NOTE: Mounting options with this designation are available on Griff S only.

Factory assistance is available via phone at 1.720.370.0400 or via email at info@ragnigroupna.com.

Rev 20260219 - To continually offer the best product possible, we reserve the right to change, without notice, specifications and/or materials.



Rev 20260219 - To continually offer the best product possible, we reserve the right to change, without notice, specifications and/or materials.

GRIFF

