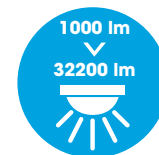
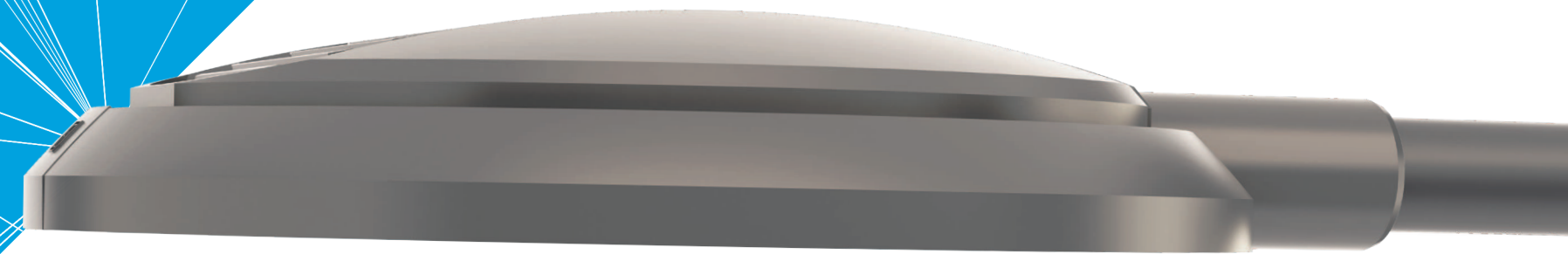


# ATINIA



- ▶ Side, Top Mounted Or Suspended with Several Bracket Options.
- ▶ Available In 3 Sizes: Standard, Slim Small, or Slim Large
- ▶ Low Wind Surface Area for Efficient EPA



The Atinia range offers a versatile and modern lighting solution with two distinctive luminaire versions—Atinia and Atinia Slim—designed to enhance urban and architectural spaces.

The Atinia model features a circular fixture with a signature dome and is available with 16 to 48 LEDs, delivering between 2,000 and 11,800 lumens. For a more streamlined look, the Atinia Slim comes in two sizes and omits the dome, while accommodating 16 to 80 LEDs and offering a wider lumen output of 2,000 to 20,500 lumens.

Customization continues with four unique arm configurations that integrate seamlessly with either version:

- Alyria: Two arms positioned at the back of the fixture.
- Atilea: Two arms positioned centrally for a balanced look.
- Bratinia: A single arm placed toward the back.
- DO-RE-MI-FA: A series of four stylized arm options, each inspired by a musical note, offering playful yet functional design flexibility.

With its modular design and performance options, the Atinia range provides both aesthetic and practical lighting solutions for a wide range of public and architectural environments.

# ATINIA

## SPECIFICATIONS

### Physical

	ATINIA Standard 6480	ATINIA Slim Small 6480	ATINIA Slim Large 6600
<b>Housing</b>	Aluminum		
<b>Lens</b>	Tempered Glass		
<b>Diameter</b>	1' 8"	1' 6.9"	1' 11.6"
<b>Weight</b>	14.3 Pounds	13.2 Pounds	26.5 Pounds
<b>Ingress Protection</b>	IP66		
<b>Impact Resistance</b>	IK08; IK10 Available on Request		
<b>Effective Projected Area (EPA) Rating</b>	0.43 ft <sup>2</sup>	0.28 ft <sup>2</sup>	0.34 ft <sup>2</sup>

### Electrical

<b>Power Consumption</b>	From 21 to 102 Watts	From 10 to 158 Watts	From 35 to 260 Watts
<b>LED Voltage</b>	Standard Input Voltage from 120-277 Volts High Input Voltage from 347-480 Volts		
<b>Control</b>	Integral LED Driver and Control System: On/Off or 0-10v Dimming		
<b>Electrical Class</b>	I and II		
<b>Operating Temperature</b>	-40° F to 122° F		
<b>Lumen Maintenance</b>	L90 B10 > 100,000 Hours		

### Photometrics

<b>Number of LEDs</b>	16, 32, or 48 LEDs	16, 32, or 48 LEDs	32, 48, 64, or 80 LEDs
<b>CCT &amp; CRI</b>	3000K and 4000K Standard; Amber, 2200K, 2700K, and 5700K Available on Request		
<b>Delivered Lumen Output</b>	From 1988 to 11795 Lumens	From 1187 to 19307 Lumens	From 4749 to 32178 Lumens
<b>Efficacy (lumens per watt)</b>	From 93 to 128 Lumens per Watt	From 109 to 148 Lumens per Watt	From 116 to 150 Lumens per Watt
<b>BUG Rating</b>	B2-U0-G2 With Proper Installation		

### Certifications

<b>NRTL</b>	Luminaire is Certified to North American Safety Standards and Requirements by Nationally Recognized Testing Laboratories.
-------------	---------------------------------------------------------------------------------------------------------------------------

### Light Distributions

CCT	# of LEDs	350 mA			500 mA			700 mA			1050 mA		
		Watts	Lumens	Efficacy	Watts	Lumens	Efficacy	Watts	Lumens	Efficacy	Watts	Lumens	Efficacy
<b>ATINIA STANDARD 6480</b>													
3000K	16	21	1988	93	28	2867	102	36	3636	101	-	-	-
	32	34	3976	116	49	5734	118	69	7271	106	-	-	-
	48	51	5964	117	73	8601	118	102	10907	107	-	-	-
4000K	16	21	2147	100	28	3097	110	36	3932	109	-	-	-
	32	34	4294	125	49	6193	127	69	7863	114	-	-	-
	48	51	6441	126	73	9290	128	102	11795	115	-	-	-
<b>ATINIA SLIM SMALL 6480</b>													
3000K	16	19	2375	125	26	3257	126	36	4361	122	53	6098	116
	32	35	4749	136	49	6514	133	69	8723	127	105	12197	117
	48	51	7124	140	73	9771	134	103	13084	128	158	18295	116
4000K	16	19	2504	132	26	3437	133	36	4602	128	53	6436	122
	32	35	5008	144	49	6875	141	69	9203	134	105	12871	123
	48	51	7512	148	73	10312	142	103	13805	135	158	19307	123
<b>ATINIA SLIM LARGE 6600</b>													
3000K	32	35	4749	136	49	6514	133	69	8723	127	105	12197	117
	48	51	7124	140	73	9771	134	103	13084	128	158	18295	116
	64	68	9499	140	96	13028	136	136	17445	129	210	24394	116
4000K	32	35	5008	144	49	6875	141	69	9203	134	105	12871	123
	48	51	7512	148	73	10312	142	103	13805	135	158	19307	123
	64	68	10016	148	96	13749	144	136	18406	136	210	25743	123
	80	84	12520	150	120	17186	144	172	23008	134	260	32178	124

### Options

- Pre-wiring.
- Surge protector.
- Zhaga socket or Nema socket on the top and/or Zhaga socket on the bottom of the luminaire + smart lighting accessories (detection, communication, photocell, sensors...).
- Reducing Wedge to adapt luminaire to fit 1 1/8", 1 1/2", and 2" Tenons/Poles
- Backlight control.
- NTC sensor.
- Automatic disconnection when the luminaire is opened.
- IK10 protection.

### Eco-Design

Luminaire designed in compliance with the environmental criteria of energy efficiency, recyclability and interoperability.

Associate member of the Zhaga consortium, Ragni integrates electronic elements in this product that comply with the Zhaga standard, which ensures its scalability and interoperability.

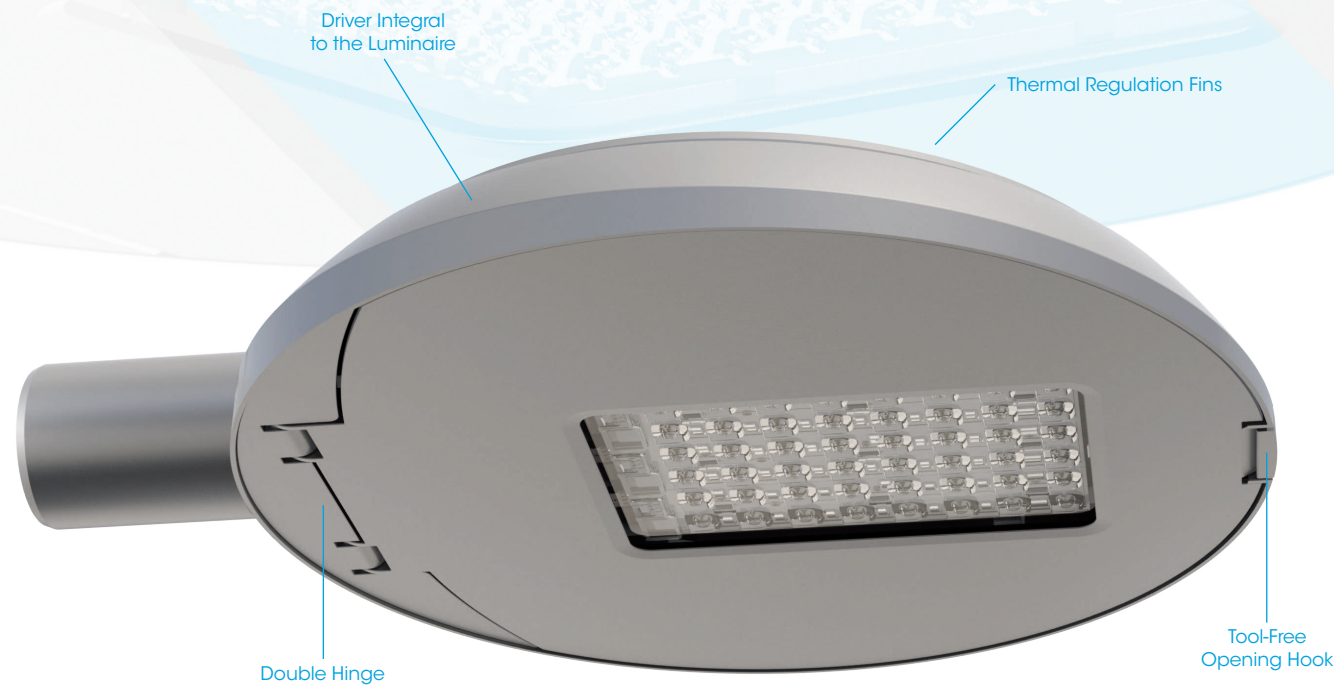
Member of the Global Compact since 2018, Ragni is committed to working towards the 17 Sustainable Development Goals (SDG 11, 12, 13, 15).

Luminaire guaranteed free of hazardous substances.

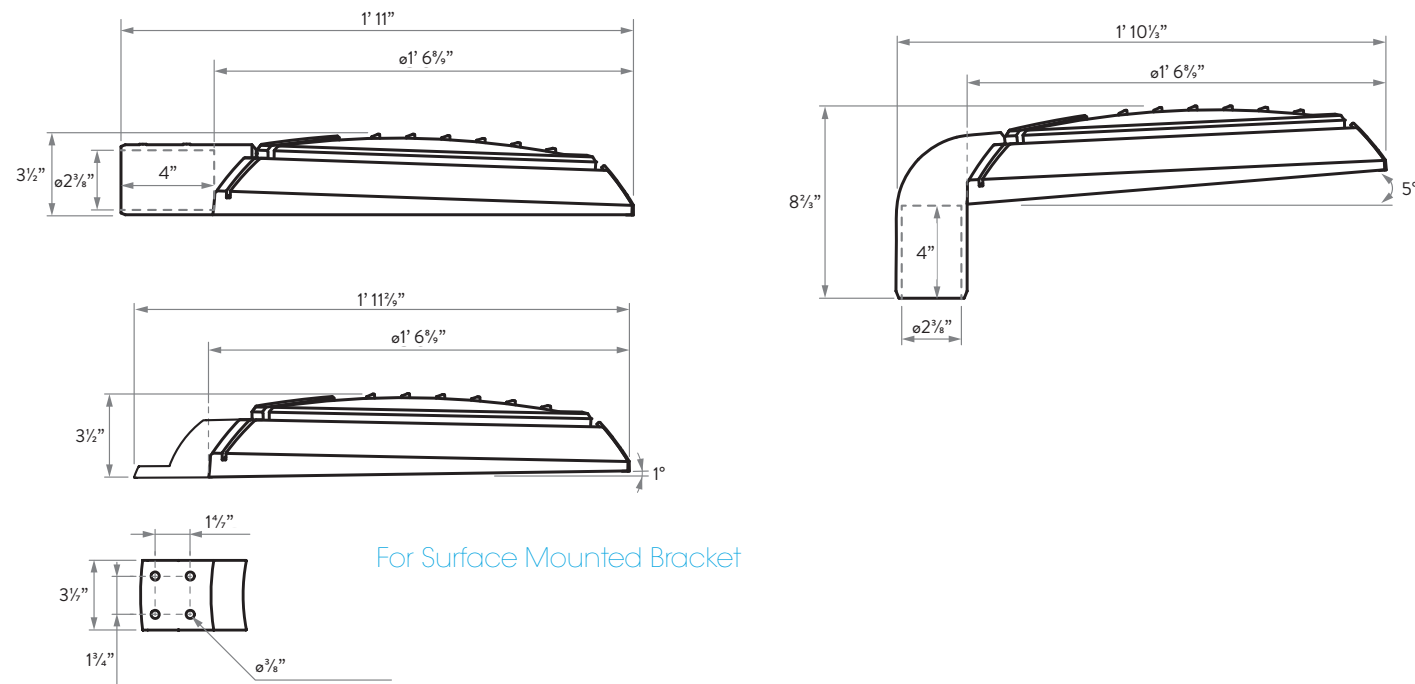
Luminaire eligible for the energy savings certificate.

Luminaire compliant with the decree of 27/12/2018 on the prevention, reduction and limitation of light pollution: product configuration to be defined according to the nature of the project.

# ATINIA SLIM SMALL 6480



## DIMENSIONS

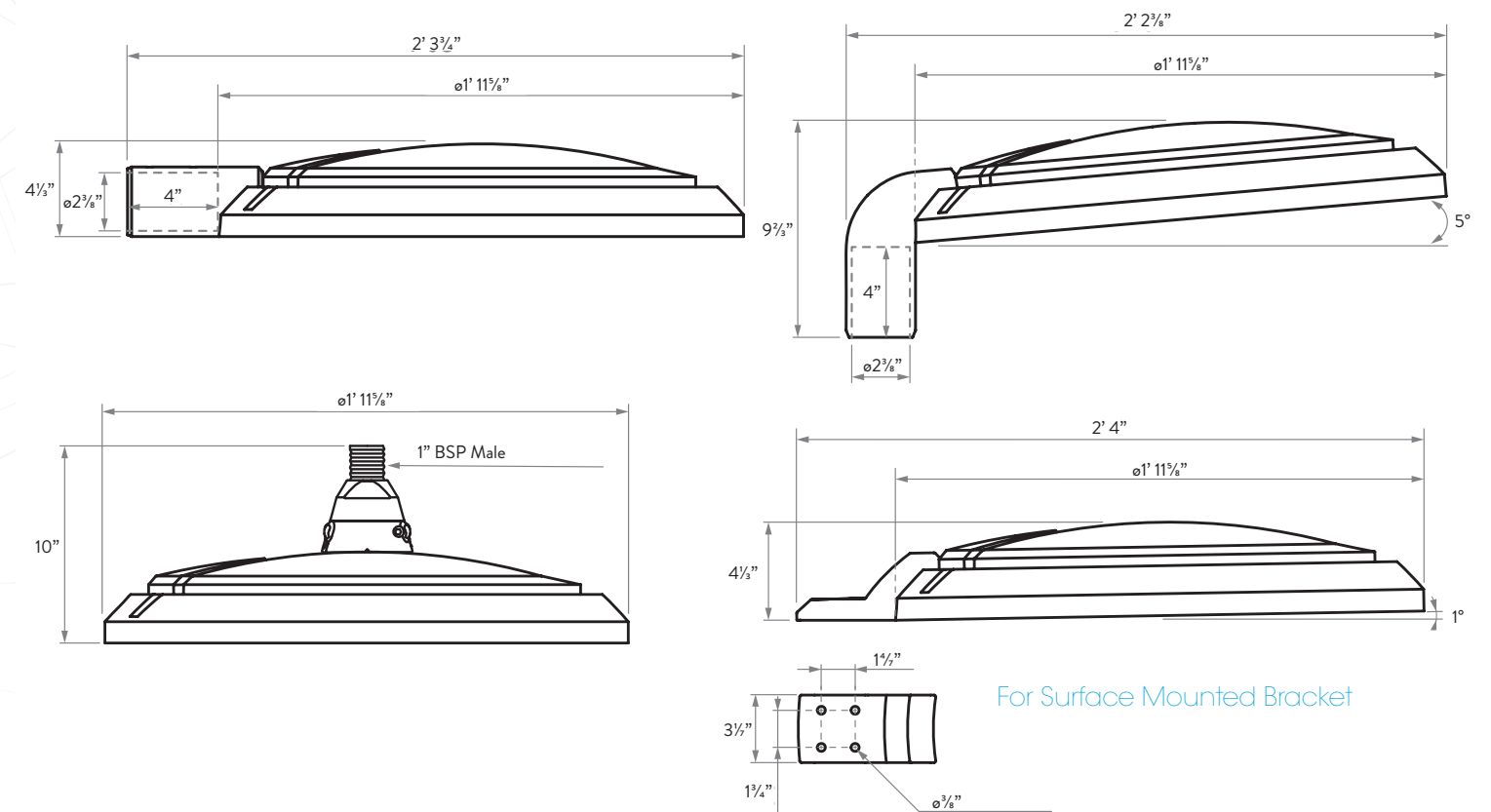


Rev 20260526 - To continually offer the best product possible, we reserve the right to change, without notice, specifications and/or materials.

# ATINIA SLIM LARGE 6600



## DIMENSIONS



Rev 20260526 - To continually offer the best product possible, we reserve the right to change, without notice, specifications and/or materials.

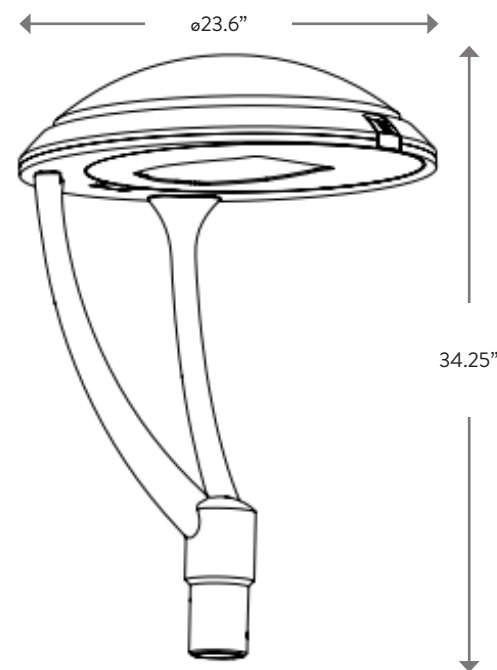
# BRACKETS AND ARMS

## ALYRIA

Available with Atinia Standard or Slim Luminaires

### Specifications

Material	Cast Aluminum
Mounting	ø2 3/8" Tenons/Poles
Weight	33 Pounds with Atinia 6600
EPA	0.86ft <sup>2</sup>
Impact Rating	IP66
Shock Resistance	IK08



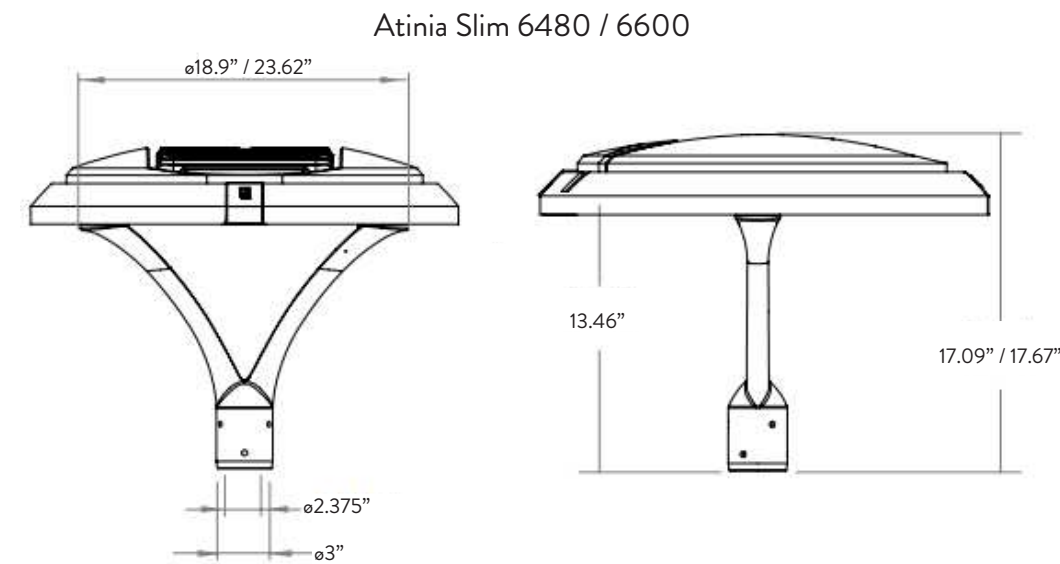
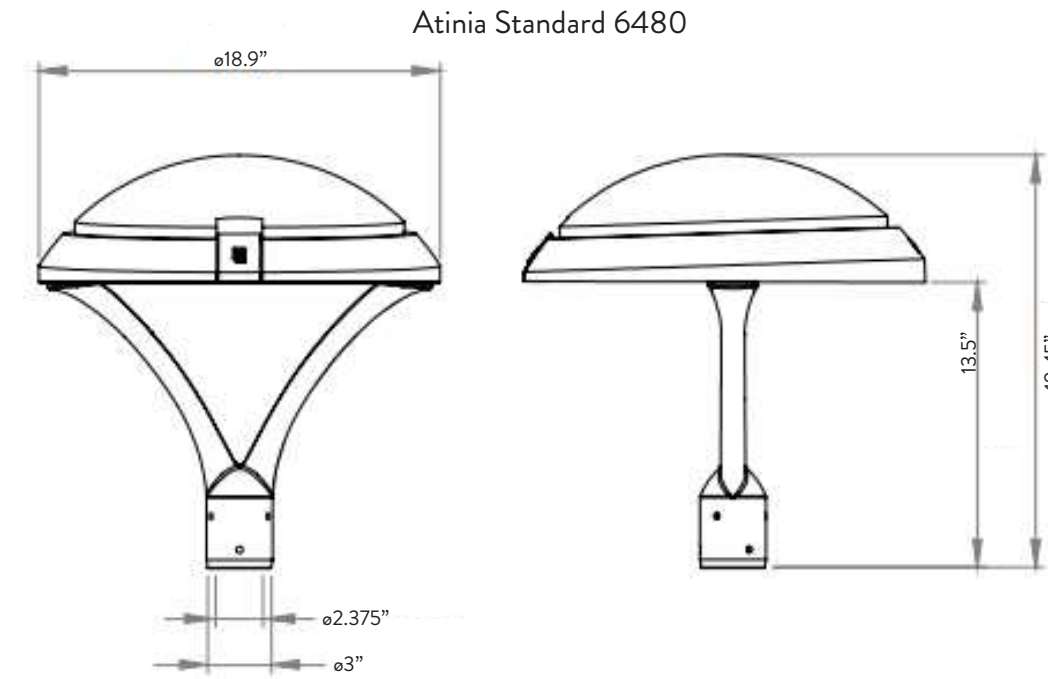
## ATILEA

Available with Atinia Standard or Slim Luminaires



### Specifications

Material	Cast Aluminum
Mounting	ø2 3/8" Tenons/Poles
Weight	16.5 Pounds with Atinia 6480 16 Pounds with Atinia Slim 6480 29 Pounds with Atinia Slim 6600
EPA	0.65ft <sup>2</sup> with Atinia 6480 0.65ft <sup>2</sup> with Atinia Slim 6480 0.87ft <sup>2</sup> with Atinia Slim 6600
Impact Rating	IP66
Shock Resistance	IK08



Rev 20260526 - To continually offer the best product possible, we reserve the right to change, without notice, specifications and/or materials.

Rev 20260526 - To continually offer the best product possible, we reserve the right to change, without notice, specifications and/or materials.

# BRACKETS AND ARMS

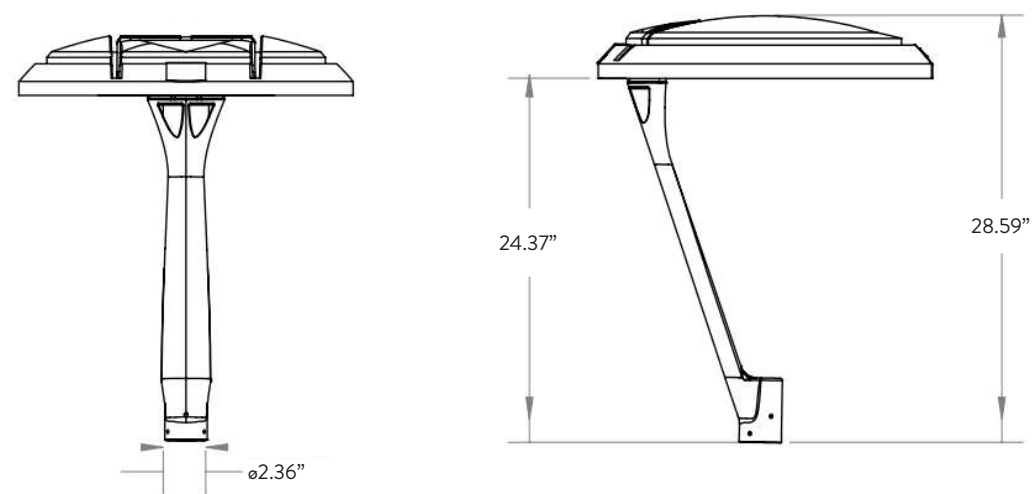
## BRATINIA

Available with Atinia Slim Luminaires



### Specifications

<b>Material</b>	Galvanized Steel
<b>Mounting</b>	ø2 3/8" Tenons/Poles
<b>Weight</b>	31 Pounds with Atinia Slim 6600
<b>EPA</b>	0.65ft <sup>2</sup> with Atinia Slim 6600
<b>Impact Rating</b>	IP66
<b>Shock Resistance</b>	IK08



Rev 20260526 - To continually offer the best product possible, we reserve the right to change, without notice, specifications and/or materials.

## DO-RE-MI-FA Range

Available in Single or Dual Head Configurations with Atinia Standard Luminaires

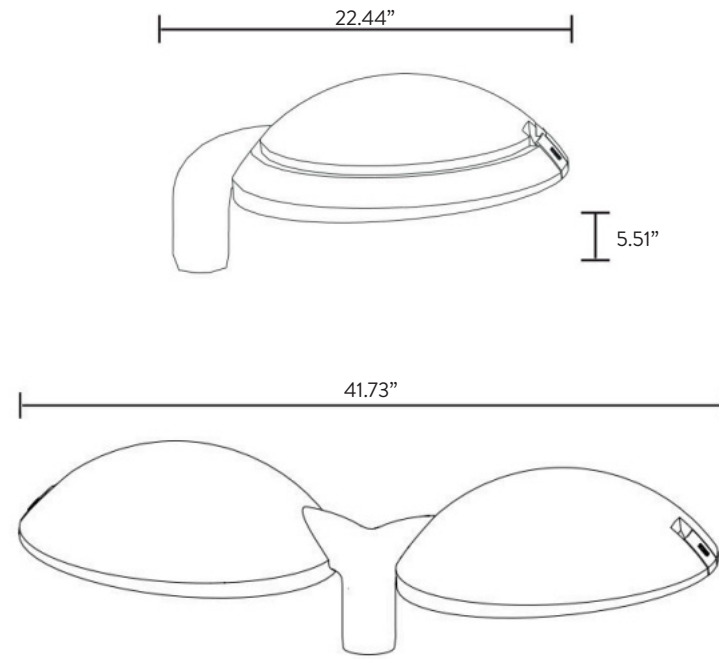


Rev 20260526 - To continually offer the best product possible, we reserve the right to change, without notice, specifications and/or materials.

# BRACKETS AND ARMS

## DO

Available in Single or Dual Head Configurations with Atinia Standard Luminaires

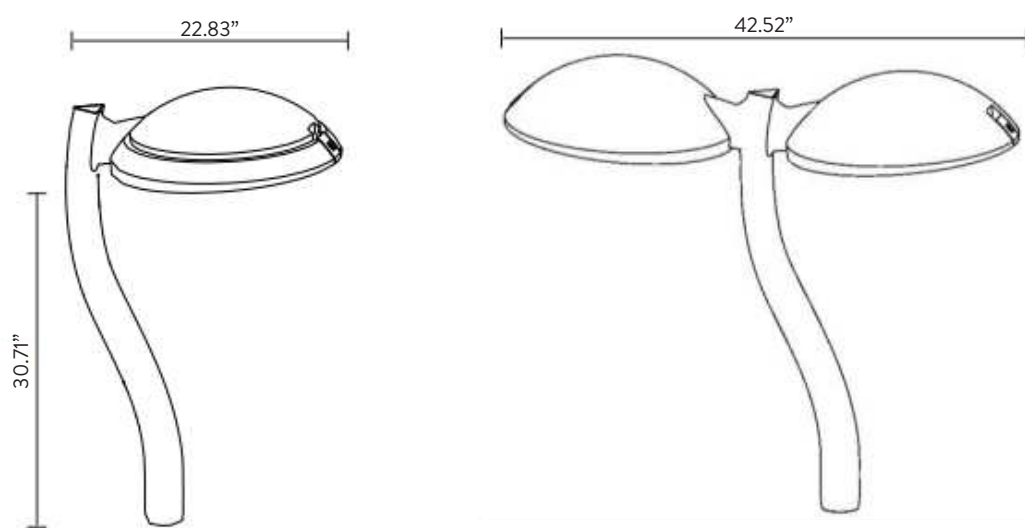


### Specifications

<b>Material</b>	Cast Aluminum
<b>Mounting</b>	ø2 7/8" Tenons/Poles
<b>Weight</b>	Single Atinia Arm: 16.1 Pounds
	Double Atinia Arm: 19.8 Pounds
<b>EPA</b>	Single Atinia Arm: 0.54ft <sup>2</sup>
	Double Atinia Arm: 1.08ft <sup>2</sup>
<b>Impact Rating</b>	IP66
<b>Shock Resistance</b>	IK08

## RE

Available in Single or Dual Head Configurations with Atinia Standard Luminaires

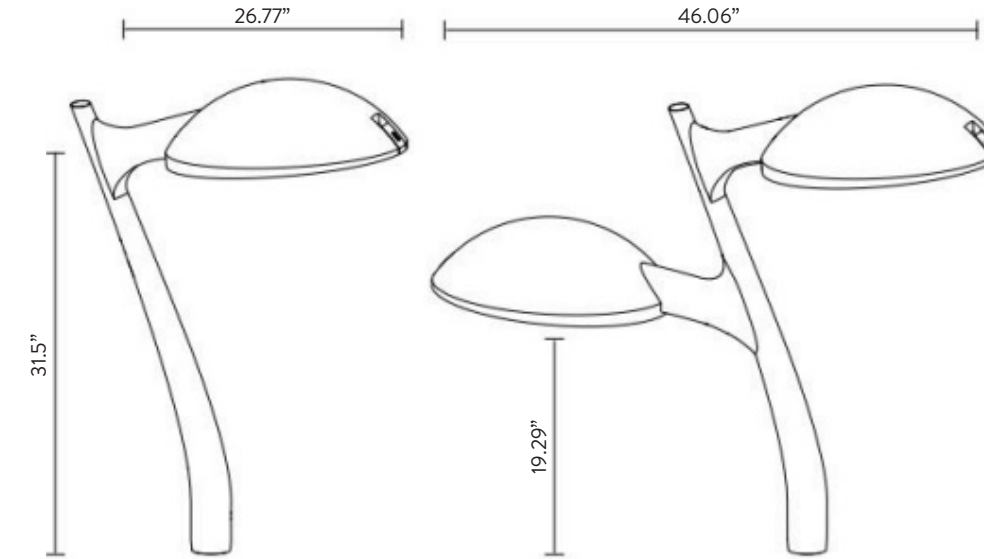


### Specifications

<b>Material</b>	Cast Aluminum
<b>Mounting</b>	ø2 7/8" Tenons/Poles
<b>Weight</b>	Single Atinia Arm: 34.2 Pounds
	Double Atinia Arm: 47.6 Pounds
<b>EPA</b>	Single Atinia Arm: 0.86ft <sup>2</sup>
	Double Atinia Arm: 1.40ft <sup>2</sup>
<b>Impact Rating</b>	IP66
<b>Shock Resistance</b>	IK08

## MI

Available in Single or Dual Head Configurations with Atinia Standard Luminaires

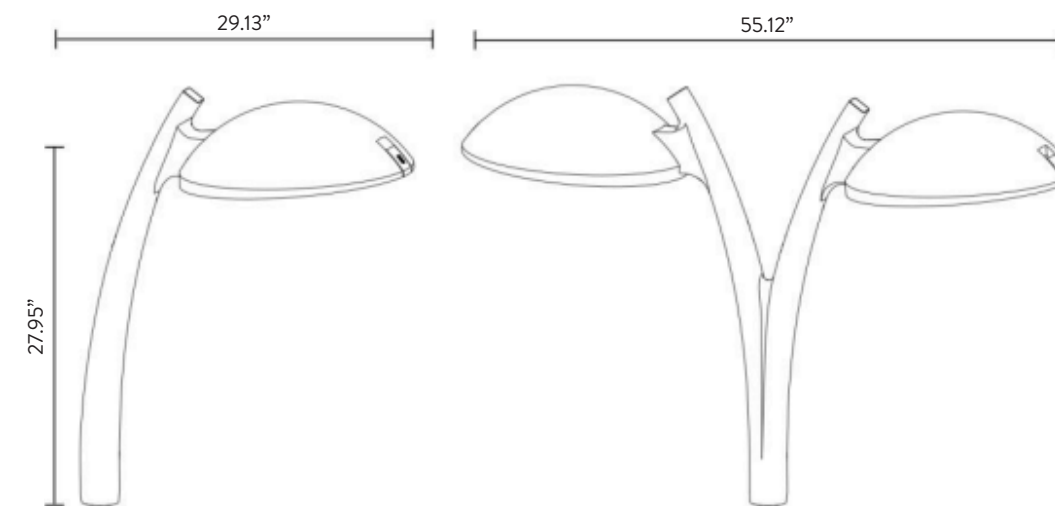


### Specifications

<b>Material</b>	Cast Aluminum
<b>Mounting</b>	ø2 7/8" Tenons/Poles
<b>Weight</b>	Single Atinia Arm: 33.29 Pounds
	Double Atinia Arm: 52.25 Pounds
<b>EPA</b>	Single Atinia Arm: 0.86ft <sup>2</sup>
	Double Atinia Arm: 1.40ft <sup>2</sup>
<b>Impact Rating</b>	IP66
<b>Shock Resistance</b>	IK08

## FA

Available in Single or Dual Head Configurations with Atinia Standard Luminaires



### Specifications

<b>Material</b>	Cast Aluminum
<b>Mounting</b>	ø2 7/8" Tenons/Poles
<b>Weight</b>	Single Atinia Arm: 29.32 Pounds
	Double Atinia Arm: 52.25 Pounds
<b>EPA</b>	Single Atinia Arm: 0.86ft <sup>2</sup>
	Double Atinia Arm: 1.50ft <sup>2</sup>
<b>Impact Rating</b>	IP66
<b>Shock Resistance</b>	IK08

Rev 20260526 - To continually offer the best product possible, we reserve the right to change, without notice, specifications and/or materials.

Rev 20260526 - To continually offer the best product possible, we reserve the right to change, without notice, specifications and/or materials.

# ORDERING INFORMATION

MODEL	BRACKET/ ARM	# OF LEDs*	CCT	DRIVE CURRENT	DISTRIBUTION	LINE VOLTAGE	MOUNTING	FINISH	OPTIONS
ATN-6480 <i>Atinia Standard 6480 Area Light</i>	ALY <i>Alyria Bracket</i>	16 <i>16 LEDs</i>	3 <i>3000K</i>	35 <i>350 mA</i>	T2 <i>Type II</i>	1 <i>120-277v</i>	TP <i>Pole-Top Mount<sup>2</sup></i>	BLK <i>Black</i>	7PIN <i>7-Pin Photocell Receptacle *Atinia Slim Models Only</i>
ATNS-6480 <i>Atinia Slim 6480 Area Light</i>	ATI <i>Atilea Bracket</i>	32 <i>32 LEDs</i>	4 <i>4000K</i>	50 <i>500 mA</i>	T3 <i>Type III</i>	3 <i>347-480v</i>	LT <i>Lateral Mount</i>	BRZ <i>Bronze</i>	MS <i>Motion Sensor *Atinia Slim Models Only</i>
ATNS-6600 <i>Atinia Slim 6600 Area Light</i>	BRA <i>Bratinia Bracket</i>	48 <i>48 LEDs</i>	C <i>Custom<sup>1</sup></i>	70 <i>700 mA</i>	T4 <i>Type IV</i>		SUS <i>Suspended Mount</i>	SLV <i>Silver</i>	DIM <i>0-10v Dimming</i>
	DO <i>Do Bracket</i>	64 <i>64 LEDs</i>		105 <i>1050 mA<sup>2</sup></i>	T5 <i>Type V</i>		C <i>Catenary Mount</i>	WHT <i>White</i>	LS <i>Lens Shield</i>
	RE <i>Re Bracket</i>	80 <i>80 LEDs</i>		C <i>Custom<sup>1</sup></i>				RAL # <i>Custom RAL Color</i>	
	MI <i>Mi Bracket</i>								
	FA <i>Fa Bracket</i>								
	BLANK <i>Leave Blank for No Bracket Selection</i>								

\*NOTE: Luminaire size determines number of LEDs available.  
ATN-6480 and ATNS-6480 are available with 16, 32, or 48 LEDs.  
ATNS-6600 is available with 32, 48, 64, or 80 LEDs.

<sup>1</sup>Consult factory for custom ordering information.

<sup>2</sup>Select "TP" Mounting Type if ordering any brackets or arms.

Factory assistance is available via phone at 1.720.370.0400 or via email at [info@ragnigroupna.com](mailto:info@ragnigroupna.com).

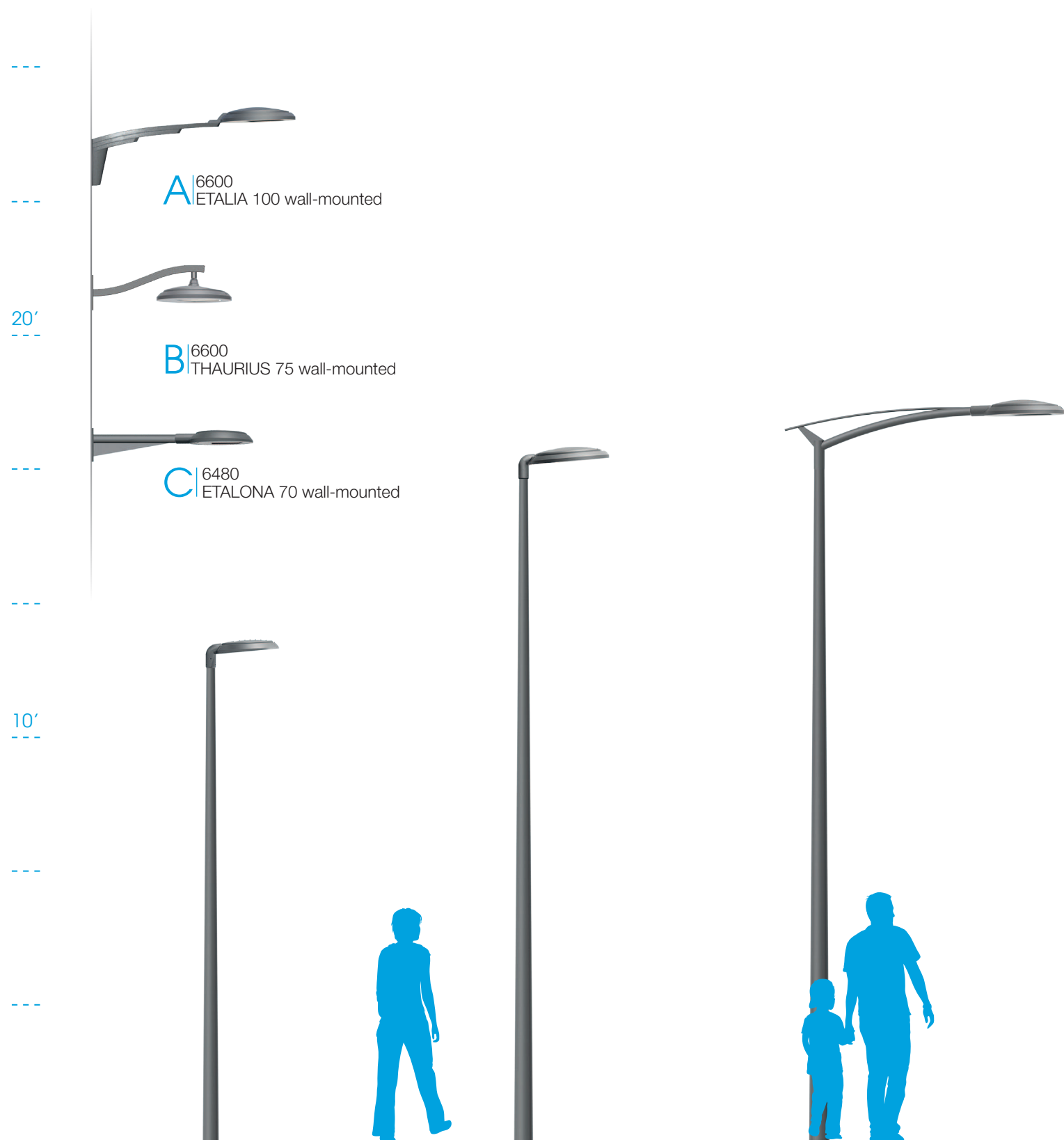


Rev 20260526 - To continually offer the best product possible, we reserve the right to change, without notice, specifications and/or materials.



Rev 20260526 - To continually offer the best product possible, we reserve the right to change, without notice, specifications and/or materials.

# ATINIA



A | 6600 ETALIA 100 wall-mounted

B | 6600 THAURIUS 75 wall-mounted

C | 6480 ETALONA 70 wall-mounted

D | 6480 Top-Mounted Round Tapered Pole

E | 6600 Top-Mounted Round Tapered Pole

F | 6600 - TOMINIA 120 Arm Round Tapered Pole



G | 6600 - VERTIGE 100 ARM 6480 - St LUC 30 Arm @ 5° Round Tapered Pole

H | 6600 - ETALIA 100 Arm Round Tapered Pole

I | 6600 & 6480 DENISIA 100/50 Arms Round Tapered Pole

J | 6600 - SUBTIL 800 Arm DECOLED Tip Harmo Double Curved Pole

Rev 20260526 - To continually offer the best product possible, we reserve the right to change, without notice, specifications and/or materials.

Rev 20260526 - To continually offer the best product possible, we reserve the right to change, without notice, specifications and/or materials.